

## Preliminary Specification



# ScanPal 2

### Features

- **128 x 64 dot Graphic LCD Display (backlit)**
- **CCD or Laser scan engine options**
- **1 MB for programs and 1 MB SRAM for data**
- **RS232, KBW, Infrared & IrDA interfaces**
- **Alkaline or NiMH rechargeable batteries**
- **Application generator and download software**

**The ScanPal 2** is a portable data collection terminal with elegant styling. It is designed to provide high performance for all-day, everyday use. It is supported by a rich set of development tools, including 'C', 'BASIC' and a Windows-based application generator.

With its integrated Laser/LRCCD barcode scanning unit, the ScanPal 2 is ideal for inventory control, work-in-process tracking, shop floor management, asset tracking, meter reading, warehousing and distribution operations.

### Accessories:

- Download/Charger Cradle.
- Dual battery pack charger (incl power supply).
- IR Transceiver.
- Protective case.
- KBW interface cable.
- Basic & 'C' development tools.



# ScanPal 2

## Preliminary Specification

### OPERATIONAL

CPU	16-bit CMOS, low power consumption
Program memory	1 MB flash memory
Data memory	1 MB SRAM
Display	128 x 64 graphic dots FSTN with LED back-lit
Keypad	21 rubber keys
Indicator	Buzzer – Programmable, 1 KHz to 4KHz LED – Dual-color, green and red
Laser Scanner	Light source – Visible Laser diode operating at $670 \pm 15\text{nm}$ . Scan rate – $36 \pm$ scans/sec Scan angle – $42^\circ$ nominal Depth of field – 5cm - 95cm, depends on bar code resolution
Long Range CCD	Resolution – 0.15mm - 1.00mm Depth of field – 20cm (for 0.33mm label) Scan rate – 100 scans/sec
Communication	RS-232 – Transmission speed up to 115.2k bps IrDA – Standard 1.0 compatible, up to 115.2k bps High speed IR – Up to 115.2k bps transmission rate
Programming Language	'C', 'BASIC', and a Windows-based Application Generator

### MECHANICAL

Length	145 mm
Width	63 mm
Height	33.5 mm
Weight	180 g (including batteries)

### ELECTRICAL

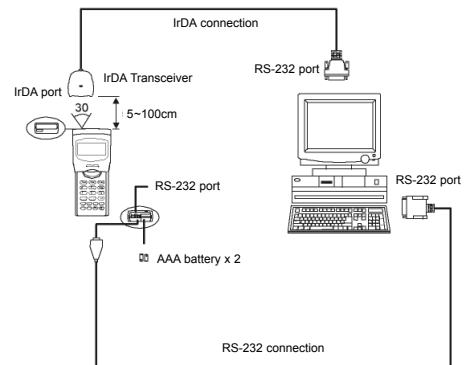
Power - Battery Operation	Two AAA size removable/rechargeable batteries
Power - Backup Battery	3.0V, 7.0mAh, rechargeable NiMH battery
Operation	Over 100 hours (with Alkaline batteries)

### ENVIRONMENTAL

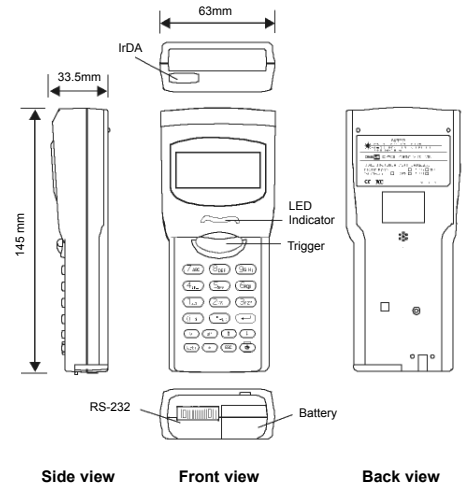
Operating Temperature	-20°C to 60°C (??°F to ??°F)
Storage Temperature	-30°C to 70°C (??°F to ??°F)
Humidity	Non-condensing 5% to 95%
Shock resistance	1.2m drop onto concrete
EMC regulation	FCC class-A, CE and C-Tick approved

KBW cable, High speed IR Transceiver, Protective case, Dual battery pack charger, Download/Charger Cradle

### RS-232 and IrDA Connection



### Dimensions



Specifications subject to change without notice.  
Copyright October 2000.  
Metrologic, All rights reserved.

**USA**  
Metrologic Instruments, Inc.  
Tel: 1-800-ID-METRO  
Fax: 1-856-228-6673  
info@metrologic.com

**South America**  
Metrologic Instruments  
Tel: 55-11-5505-6568  
Fax: 55-11-5505-1681  
info@sa.metrologic.com

**Brazil**  
Metrologic do Brasil Ltda.  
Tel: 55-11-5505-2396  
Fax: 55-11-5507-2301  
info@br.metrologic.com

**Asia**  
Metrologic Asia (Pte) Ltd.  
Tel: 65-942-7155  
Fax: 65-942-7166  
info@sg.metrologic.com



Metrologic Instruments GmbH | Dornierstrasse 2 | 82178 Puchheim | Germany

Tel: +49 (0) 89 89 019 0 | Fax: +49 (0) 89 89 019 200 | Email: info@europe.metrologic.com | Homepage: www.europe.metrologic.com

#### EUROPEAN REGIONAL OFFICES

**France**  
Metrologic Eria France SA  
69, Rue de la Belle Etoile, ZI Paris Nord II,  
BP 50057 – 95947 ROISSY CDG CEDEX  
Tel: +33 (0) 1 48 63 78 78  
Fax: +33 (0) 1 48 63 24 94  
Email: info@fr.metrologic.com  
www.metrologic-eria.fr

**Germany**  
Metrologic Instruments GmbH  
Dornierstrasse 2,  
82178 Puchheim  
Tel: +49 (0) 89 89 019 0  
Fax: +49 (0) 89 89 019 200  
Email: info@de.metrologic.com  
www.metrologic-instruments.de

**Italy**  
Metrologic Instruments Italia Srl,  
Via Emilia 70,  
40064 Ozzano dell'Emilia (BO)  
Tel: +39 0 51 6511978  
Fax: +39 0 51 6521337  
Email: info@it.metrologic.com  
www.metrologic.it

**Spain**  
Metrologic Eria Ibérica SL  
Julían Camarillo 29,  
Edificio Diapasón, 28037 Madrid,  
Tel: +34 (91) 327 24 00  
Fax: +34 (91) 327 38 29  
Email: info@es.metrologic.com  
www.metrologic.es

**United Kingdom**  
Metrologic Instruments UK Ltd  
58 Tempus Business Centre, Kingsclere Road,  
Basingstoke, Hants RG21 6XG  
Tel: +44 (0)1256 365900  
Fax: +44 (0)1256 365955  
Email: info@uk.metrologic.com  
www.europe.metrologic.com

#### EUROPEAN HEADQUARTERS

Metrologic Instruments GmbH  
Dornierstrasse 2,  
82178 Puchheim, Germany  
Tel: +49 (0) 89 89 019 0  
Fax: +49 (0) 89 89 019 200  
Email: info@europe.metrologic.com  
www.europe.metrologic.com