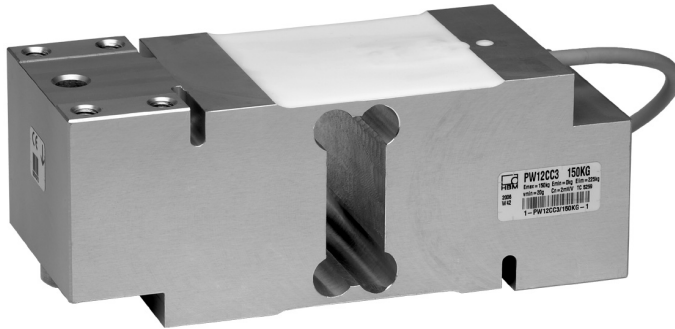


PW12C...

Single point load cells

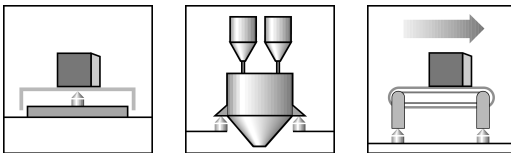


Special features

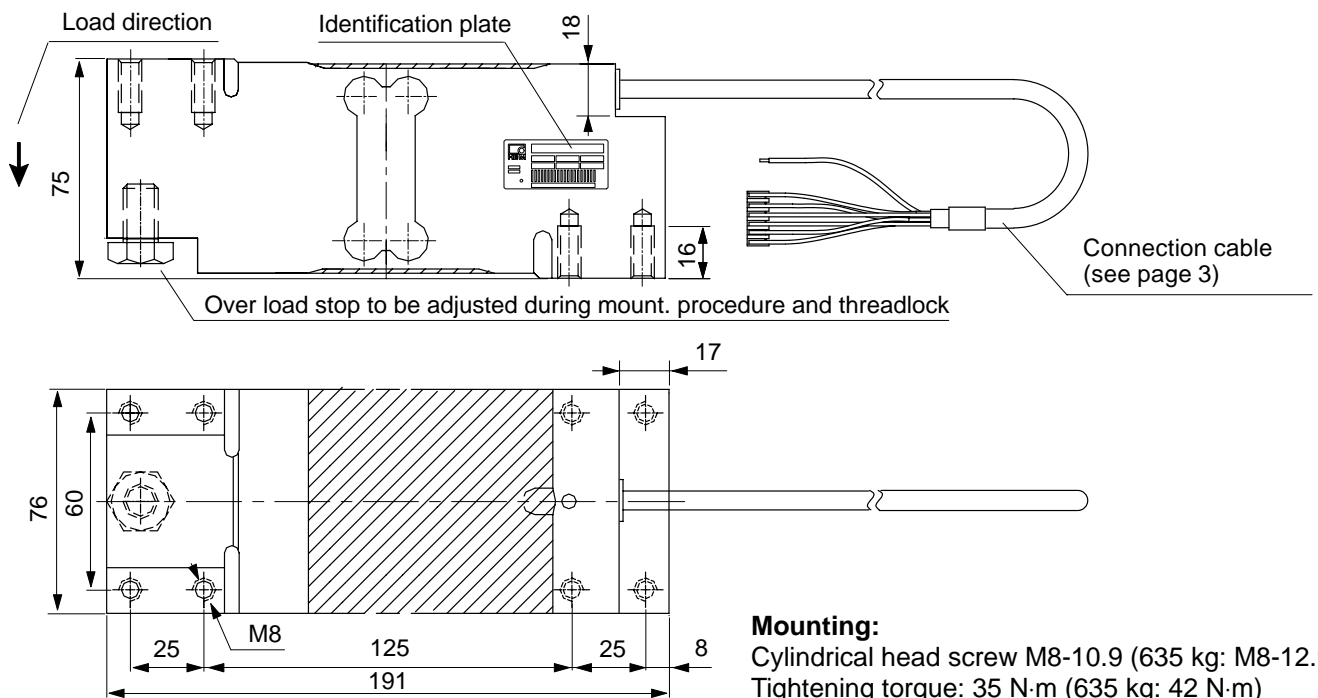
- OIML-R60 approval
- Max. Capacities: 50 kg...635 kg
- Off center load compensated (OIML R76)
- Meets EMC standards (EN 45 501)
- 6-wire circuit

Optional:

- Reduced minimum LC verification interval (v_{min}) for multi range applications
- Explosion proof versions
- different cable lengths
- Aligned output, suitable for connection in parallel



Dimensions (in mm; 1 mm = 0.03937 inches)



Specifications

Type	PW12C...									
Accuracy class ¹⁾	C3, C3MR									
Number of load cell intervals (n _{LC})	3000									
Maximum capacity (E _{max})*	kg	50	75	100	150	200	250	300	500	635
Minimum LC verification interval (v _{min})										
Accuracy class C3	g	10	10	20	20	50	50	50	100	100
Temperature effect on zero balance (TK ₀)										
Accuracy class C3	% v. C _n / 10 K	± 0.0280	± 0.0186	± 0.0280	± 0.0186	± 0.0350	± 0.0280	± 0.0233	± 0.0280	± 0.0221
Minimum LC verification interval (v _{min})										
Accuracy class C3MR	g	5	5	10	10	20	20	20	50	50
Temperature effect on zero balance (TK ₀)										
Accuracy class C3MR	% v. C _n / 10 K	± 0.0140	± 0.0093	± 0.0140	± 0.0093	± 0.0140	± 0.0112	± 0.0093	± 0.0140	± 0.0110
Max. platform size	mm	800 x 800								
Sensitivity (C _n)		2.0 ± 0.2								
Zero balance	mV/V	0 ± 0.1								
Temperature effect on sensitivity (TK _C) ²⁾										
Temperature range	% of C _n / 10 K									
+20 ... +40 °C [+68 ... +104 °F]		± 0.0175								
-10 ... +20 °C [+14 ... +68 °F]		± 0.0117								
Hysteresis error (d _{hy}) ²⁾		± 0.0166								
Non-linearity (d _{lin}) ²⁾		± 0.0166								
Minimum dead load output return (DR)		± 0.0166								
Off center load error ³⁾		± 0.0233								
Input resistance (R _{LC})		300 ... 500								
Output resistance (R ₀)	Ω	300 ... 500								
Reference excitation voltage (U _{ref})		5								
Nominal range of excitation voltage (B _U)	V	15								
Max. excitation voltage		15								
Insulation resistance (R _{is}) at 100 V _{DC}	GΩ	> 2								
Nominal temp. range (B _T)		-10 ... +40 [+14 ... +104]								
Service temp. range (B _{TU})	°C	-10 ... +50 [+14 ... +122]								
Storage temp. range (B _{Tl})	[°F]	-25 ... +70 [-13 ... +158]								
Safe load limit (E _L), at max. 100mm eccentricity	% of E _{max}	150								
Lateral load limit (E _{lq}), static		300								
Breaking load (E _d)	% of E _{max}	300								
Deflection at E _{max} (s _{nom}), approx.	mm	< 0.5								
Weight (G), approx.	kg	2.4								
Protection class according to EN 60 529 (IEC 529)		IP67								
Material: Measuring element		Aluminium								
Coating		Silicone rubber								
Cable sheath		PVC								

* For max. capacities 50 kg, 75 kg, 635 kg: OIML certificate in preparation

1) In accordance to OIML-R60 with P_{LC} = 0.7

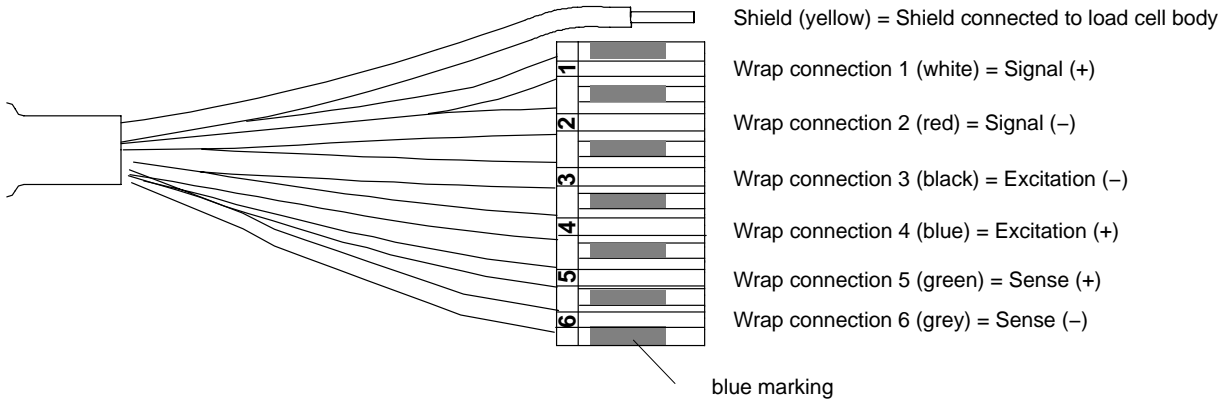
2) The sum of data for Non-linearity, Hysteresis error and TC Span meets the requirements of OIML R60.

3) Eccentric error according to OIML R76 class.

Wiring code

Connection with 6 wire cable (selectable cable length: 1.5 m; 3 m; 6 m, 12 m)

Detailed description of the Pancon plug (CE100F26-6), 6-pole





Ordering codes

PW12C... (Aluminum)

Type	PW12C	
Accuracy	C3 (OIML)	
Note	Cable length 3m (6 wire)	
Capacity	Order no.	
50kg	1-PW12CC3/50KG-1	
75kg	1-PW12CC3/75KG-1	
100kg	1-PW12CC3/100KG-1	
150kg	1-PW12CC3/150KG-1	
200kg	1-PW12CC3/200KG-1	
250kg	1-PW12CC3/250KG-1	
300kg	1-PW12CC3/300KG-1	
500kg	1-PW12CC3/500KG-1	
635kg	1-PW12CC3/635KG-1	

K-PW12C-... (Aluminum), optional versions [!!!]

Order no.		
K-PW12C		
Code	Option 1: Mechanical version	
N	Standard	
Code	Option 2: Accuracy	
C3	C3 (OIML)	
MR	C3-MR (OIML)	
Code	Option 3: Capacity	
50	50kg	
75	75kg	
100	100kg	
150	150kg	
200	200kg	
250	250kg	
300	300kg	
500	500kg	
635	635kg	
Code	Option 4: Ex protection	
N	non Ex	
1+21	ATEX Zone 1 + 21 [only with Option 6 = N]	
2+22	ATEX Zone 2 + 22 (non-conductive dust) [only with Option 6 = N]	
Code	Option 5: Cable length	
1.5	1.5m	
3	3m	
6	6m	
12	12m	
Code	Option 6: Miscellaneous	
N	without	
A	2mV/V ±0.1% / 410 Ohms ±0.3 Ohms [only with Option 4 = N] (aligned output, suitable for connection in parallel)	
K-PW12C - [N] - [] - [] - [] - [] - [] - []		

[!!!]: Not all codes can be combined with each other. Please take heed of the terms in the square brackets!

Modifications reserved.

All details describe our products in general form only. They are not to be understood as express warranty and do not constitute any liability whatsoever.

Hottinger Baldwin Messtechnik GmbH

Im Tiefen See 45, D-64293 Darmstadt, Germany
Tel.: +49 6151 803-0 Fax: +49 6151 803 9100
Email: support@hbm.com Internet: www.hbm.com



measurement with confidence