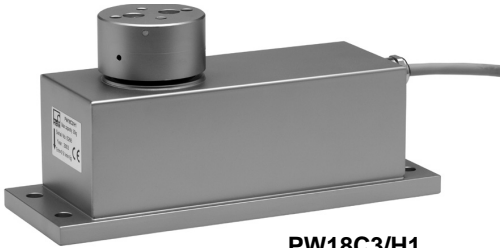


PW18C3 PW18C3/H1

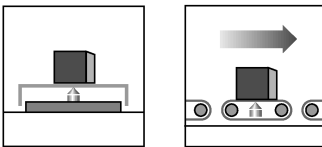
Single point load cells for static and dynamic weighing



PW18C3



PW18C3/H1



Special features

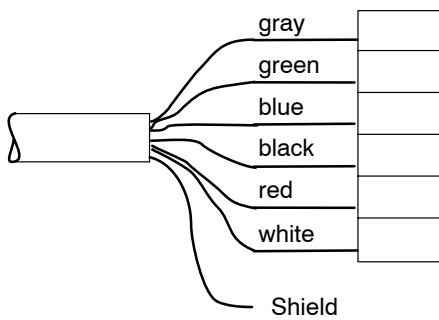
- High accuracy
- High overload limits
- High torsion / bending stiffness
- Protection class IP 67

PW18C3/H1 version:

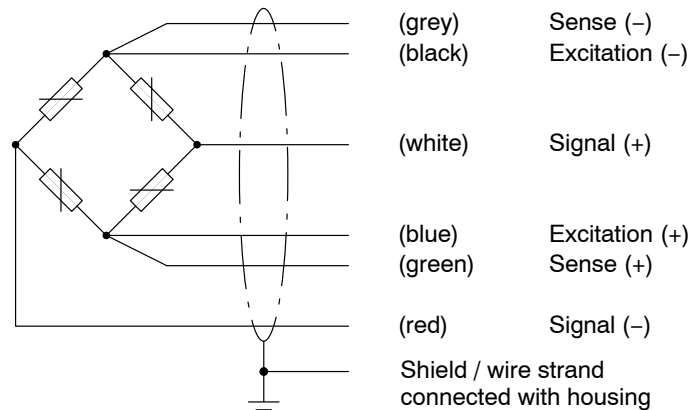
- Integrated vertical overload stops, effective in positive and negative load direction
- Corrosion resistant, laser welded
- Barometric pressure balance
- Protection class IP 66

Abmessungen (in mm)

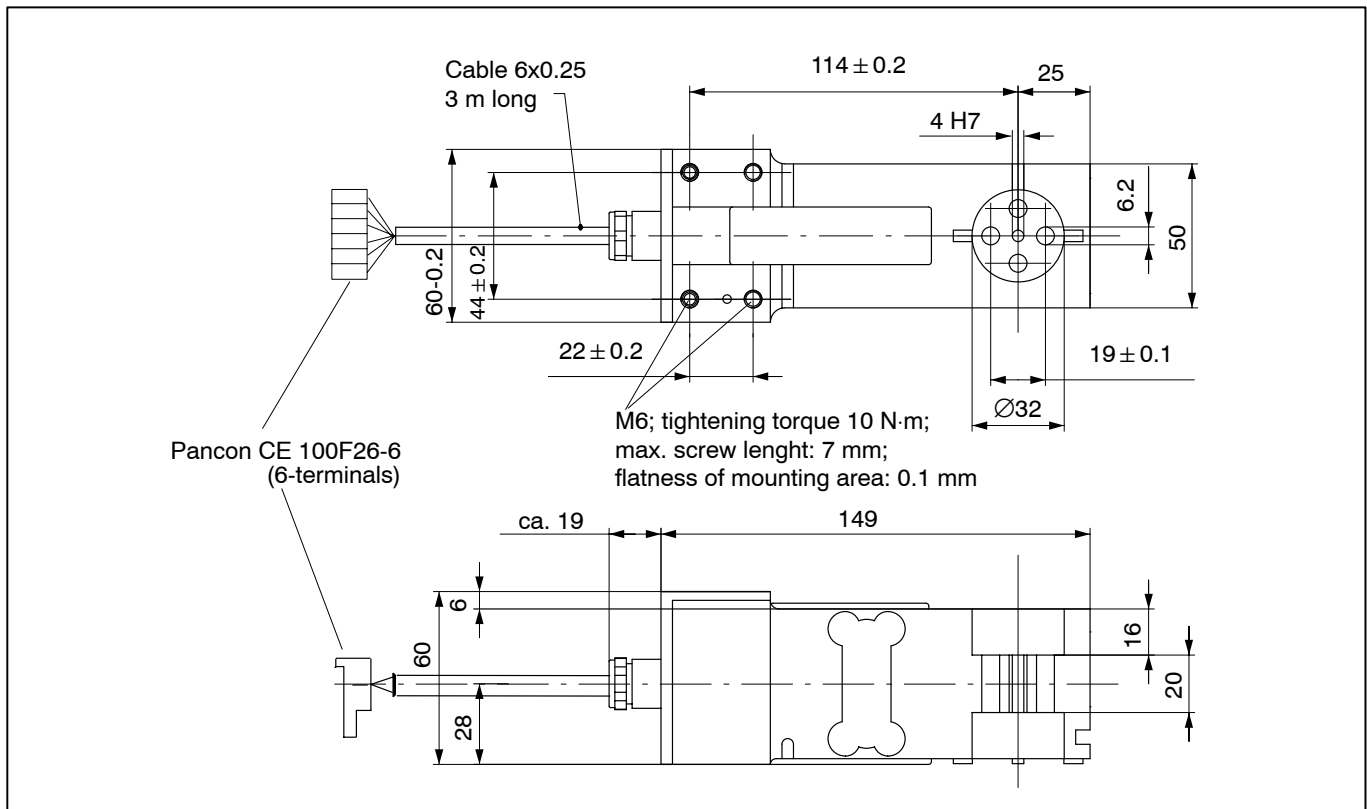
Pancon CE 100F26-6
(6 terminals)



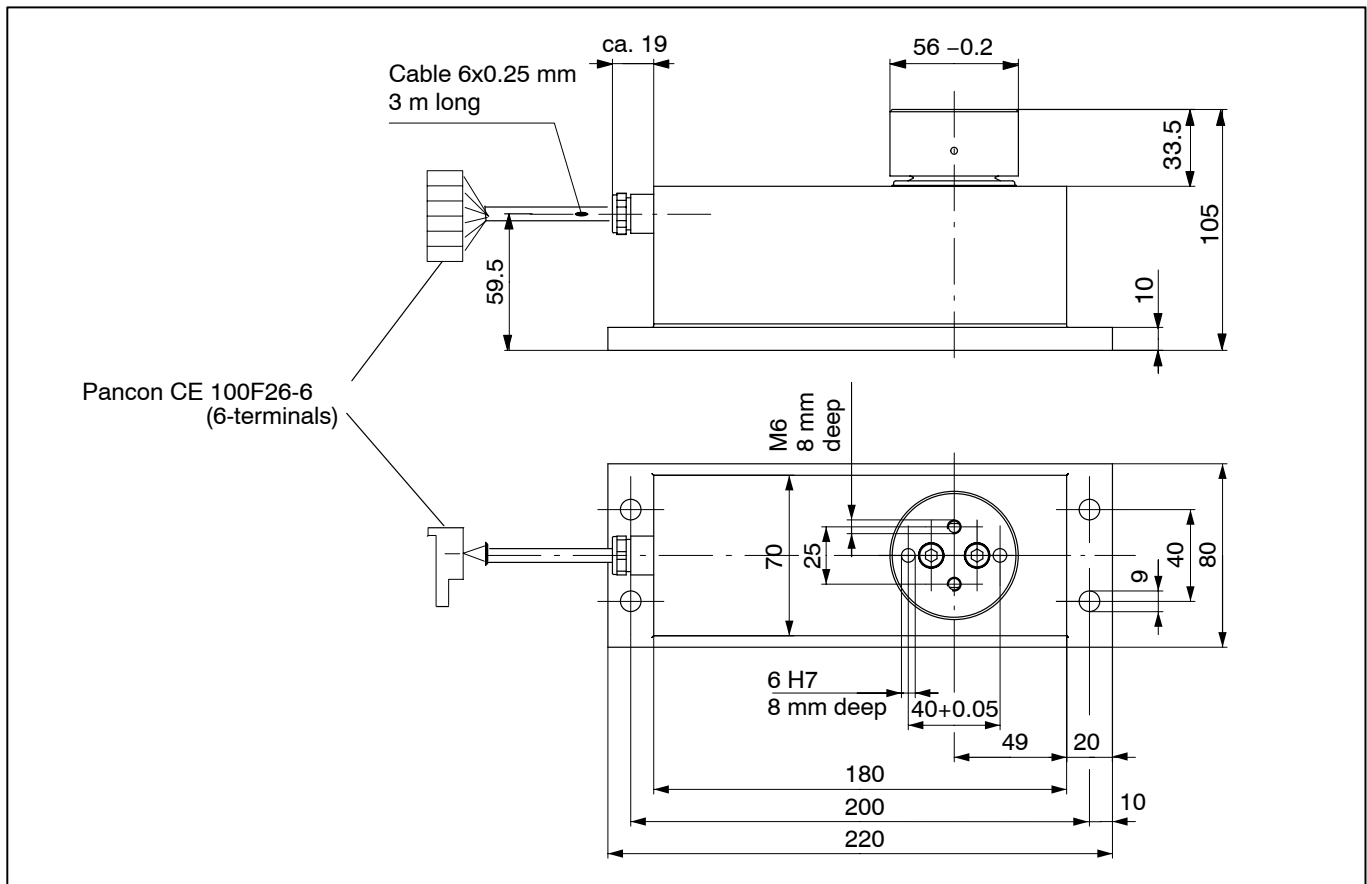
Wiring code (6-wire circuit):



Dimensions of the single point load cell PW18C3 (in mm; 1 mm= 0.03937 inches)



Dimensions of the single point load cell PW18C3/H1 (in mm; 1 mm= 0.03937 inches)



Specifications

Type	PW18C3						PW18C3/H1					
Accuracy class	C3 ¹⁾						C3 ¹⁾					
Max. number of load cell intervals (n_{LC})	3000						3000					
Nominal (rated) Load (E_{max})	kg	5	10	20	50	75	5	10	20	50	75	
Min. LC verification interval (v_{min})	g	0.5	1	2	5	10	0.5	1	2	5	10	
Temperature effect on zero balance (TK_0)	mV/V	± 0.0140						± 0.0140				
Max. Platform size	mm	400 x 400			600 x 500			400 x 400			600 x 500	
Sensitivity (C_n)	mV/V	1.0 ± 0.1						1.0 ± 0.1				
Zero signal		0 ± 0.1						0 ± 0.1				
Temperature effect on sensitivity (TK_C) ²⁾ Temperature range: +20 ... +40 °C [+68 ... 104 °F] -10 ... +20 °C [+14 ... 68 °F]	% from $C_n / 10$ K	± 0.0175 ± 0.0117						± 0.0175 ± 0.0117				
Hysteresis error (d_{hy}) ²⁾	% from C_n	± 0.0166						± 0.0166				
Non-Linearity (d_{lin}) ²⁾		± 0.0166						± 0.0166				
Minimum dead load output return (DR)		± 0.0166						± 0.0166				
Off center load error ³⁾		± 0.0233						± 0.0233				
Input resistance (R_{LC})	Ω	380 ... 500						380 ... 500				
Output resistance (R_0)		350 ... 500						350 ... 500				
Reference excitation voltage (U_{ref})	V	5						5				
Nominal range of excitation voltage (B_U)		1 ... 12						1 ... 12				
Max. excitation voltage		15						15				
Insulation resistance (R_{is}) at 100 V _{DC}		G Ω	> 1						> 1			
Nominal temperature range (B_T)	°C [°F]	-10 ... +40 [14 °F ... 104 °F]						-10 ... +40 [14 °F ... 104 °F]				
Service temperature range (B_{tu})		-10 ... +50 [14 °F ... 122 °F]						-10 ... +50 [14 °F ... 122 °F]				
Storage temperature range (B_{tl})		-25 ... +75 [-13 °F ... 167 °F]						-25 ... +75 [-13 °F ... 167 °F]				
Limit load (E_L) *) *) at max. 20mm Eccentricity	% from E_{max}	300 ⁴⁾						1000				
Lateral load limit (E_{lq}), static		800						800				
Breaking load (E_d)		400						>1000				
Nominal displacement at E_{max} (s_{nom}), approx.	mm	< 0.15						< 0.15				
Weight (G), approx.	kg	0.8						3				
Protection class to EN60529 (IEC529)		IP67						IP66				
Material of the PW18C3: Measuring element Cover Cable sheath		Aluminium Silicone rubber TPE										
Material of the PW18C3/H1: Housing Membrane Cable sheath								Stainless steel Silicone caoutchouc R830 TPE				

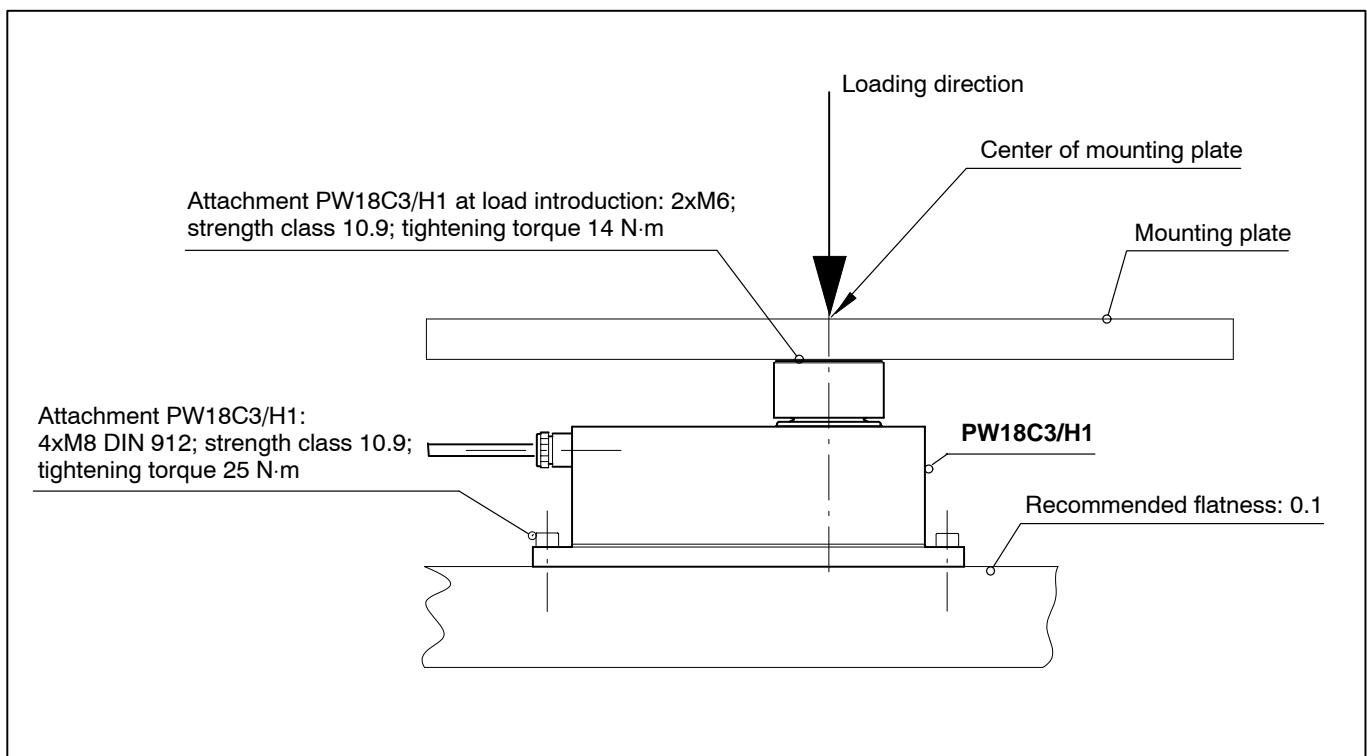
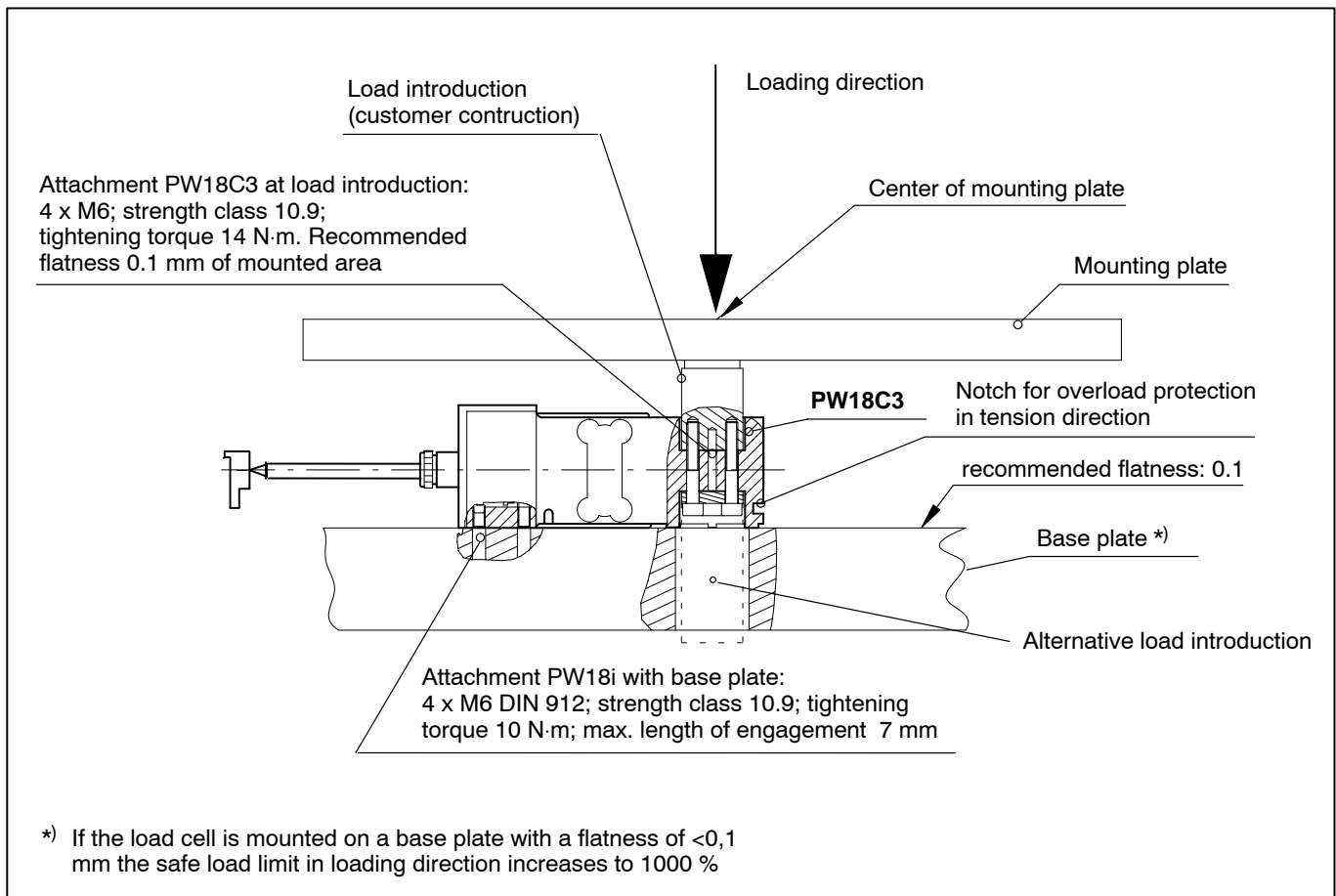
1) According to OIML R60 with $P_{LC} = 0.7$

2) The data for Non-Linearity (d_{lin}), Hysteresis error (d_{hy}) and temperature effect on sensitivity (TK_C) are typical values. The sum of these data meets the requirements according to OIML R60.

3) According to OIML R76.

4) In combination with a grinded baseplate up to 1000% (details please see operating manual)

Mounting hints for single point load cells PW18C3 and PW18C3/H1



Modifications reserved.
All details describe our products in general form only. They are not to be understood as express warranty and do not constitute any liability whatsoever.

Hottinger Baldwin Messtechnik GmbH

Im Tiefen See 45, D-64293 Darmstadt, Germany
Tel.: +49 6151 803-0 Fax: +49 6151 8039100
Email: support@hbm.com Internet: www.hbm.com



measurement with confidence