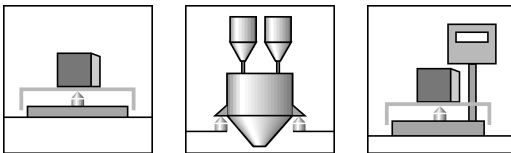
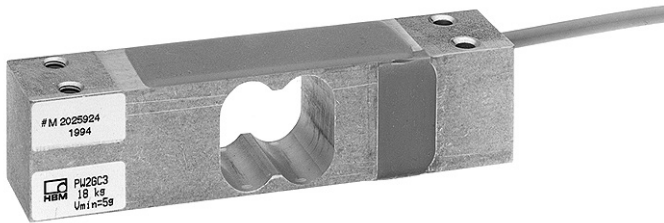


# PW2GC3

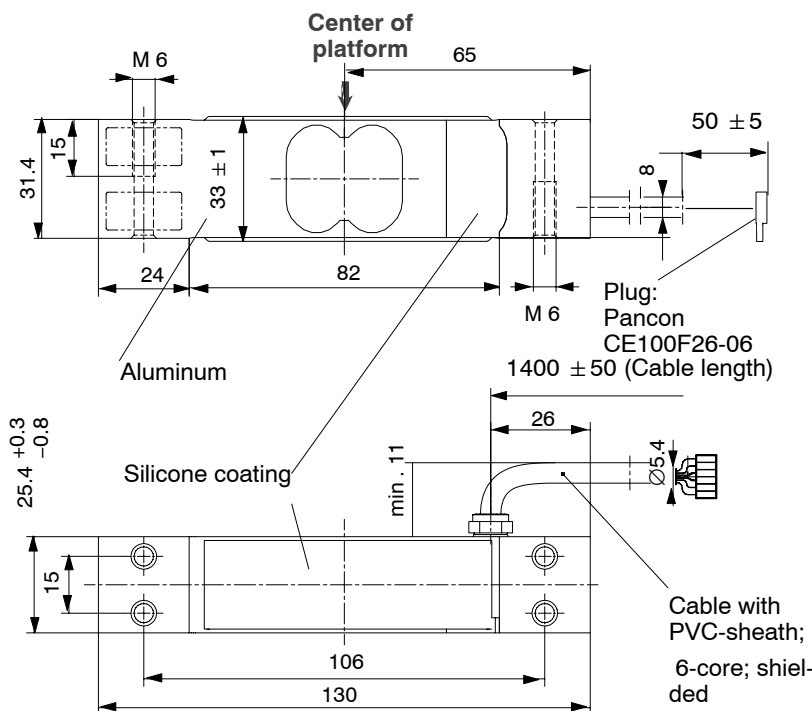
## Single point load cells

### Special features

- Accuracy class PTB-OIML R60 approval
- Max Capacities: 7.2 kg ... 72 kg
- Off center load compensated
- 6-wire technology
- Low design
- Fast transient oscillation
- Protection class IP67 according to EN 60 529
- Meets EG-EMC-Guide lines



### Dimensions (in mm; 1 mm= 0.03937 inches)



#### Cable:

Shielded 6-core round cable (6x0.14 mm<sup>2</sup>) with PVC-sheath

#### Wiring code (Six wire technology)

Gray	Sense (-)
Green	Sense (+)
Blue	Excitation (+)
Black	Excitation (-)
Red	Signal (-)
White	Signal (+)
	Shield connected to load cell body

#### Mounting:

- Max. capacity  $\leq$  36 kg:  
M6-8.8 screws with cylindrical screw;  
tightening torque 4.4 lbf ft
- Max. capacity = 72 kg:  
M6-10.9 screws with cylindrical head;  
tightening torque 7.4 lbf ft

## Specifications

Type	PW2GC3					
Accuracy class	C3 <sup>1)</sup>					
Maximum number of load cell intervals (n <sub>LC</sub> )	3000					
Maximum capacity (E <sub>max</sub> )	kg	7.2	12	18	36	72
Minimum LC verification interval (v <sub>min</sub> )	g	2	2	5	10	20
Temperature effect on zero balance (TK <sub>0</sub> )	% of C <sub>n</sub> / 10 K	± 0.0389	± 0.0233	± 0.0389		
Maximum platform size	mm	380 x 380				
Sensitivity (C <sub>n</sub> )	mV/V	2.4 ± 0.24				
Zero balance (without dead load)	mV/V	0 ± 0.1				
Temperature effect on sensitivity (TK <sub>C</sub> ) <sup>2)</sup> Temperature range: +20 ... +40 °C [+68 ... +104 °F] -10 ... +20 °C [+14 ... +68 °F]	% of C <sub>n</sub> / 10 K	± 0.0175 ± 0.0117				
Hysteresis error (d <sub>hy</sub> ) <sup>2)</sup>		± 0.0117				
Non-linearity (d <sub>lin</sub> ) <sup>2)</sup>	% of C <sub>n</sub>	± 0.0150				
Minimum dead load output return (DR)		± 0.0166				
Off center load error <sup>3)</sup>	% of C <sub>n</sub>	± 0.0233				
Input resistance (R <sub>LC</sub> )		350...500				
Output resistance (R <sub>0</sub> )	Ω	350...500				
Reference excitation voltage (U <sub>ref</sub> )		5				
Nominal range of excitation voltage (B <sub>U</sub> )	V	1 ... 12				
Max excitation voltage		15				
Insulation resistance (R <sub>is</sub> ) at 100 V <sub>DC</sub>	GΩ	> 1				
Nominal temperature range (B <sub>T</sub> )		-10 ... +40 [+14...+104]				
Service temperature range (B <sub>tu</sub> )	°C [°F]	-10 ... +50 [+14...+122]				
Storage temperature range (B <sub>ti</sub> )		-25 ... +70 [-13...+158]				
Safe load limit (E <sub>L</sub> ) at max. eccentricity	% of E <sub>max</sub> mm	150 160				
Lateral load limit (E <sub>lq</sub> ), static	%	300				
Breaking load (E <sub>d</sub> )	of E <sub>max</sub>	300				
Deflection at E <sub>max</sub> (s <sub>nom</sub> ), approx.	mm	0.20	0.23	0.15	0.12	0.11
Weight (G), approx.	kg	0.25				
Protection class according to EN60529 (IEC529)		IP67				
Material: Measuring element Coating Cable sheath		Aluminum Silicone rubber PVC				

<sup>1)</sup> According to OIML R60 with P<sub>LC</sub> = 0.7

<sup>2)</sup> The data for Non-linearity (d<sub>lin</sub>), Hysteresis error (d<sub>hy</sub>) and Temperature effect on sensitivity (TK<sub>C</sub>) are typical values. The sum of these data meets the requirements according to OIML R60.

<sup>3)</sup> Refers to the scale capacity (Max) for 1000 d or 3000 d.

The tolerance value corresponds to 70 % of the permissible scale error according to OIML R76, Class III or Class III.

### Accessories (on request):

- Spacers 3 mm (Order-No.: 3-9223.0167) and 5mm (Order-No.: 3-9223.0210)
- Housing (Order-No.: 1-PW2-GEHAEUSE) to protect the strain gages from mechanical damage.

Modifications reserved.

All details describe our products in general form only. They are not to be understood as express warranty and do not constitute any liability whatsoever.

**Hottinger Baldwin Messtechnik GmbH**

Im Tiefen See 45, D-64293 Darmstadt, Germany

Tel.: +49 6151 803-0 Fax: +49 6151 8039100

Email: [support@hbm.com](mailto:support@hbm.com) Internet: [www.hbm.com](http://www.hbm.com)



measurement with confidence