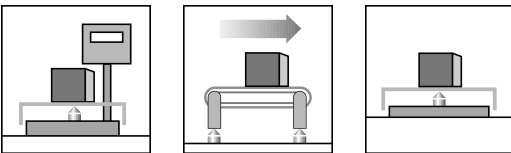
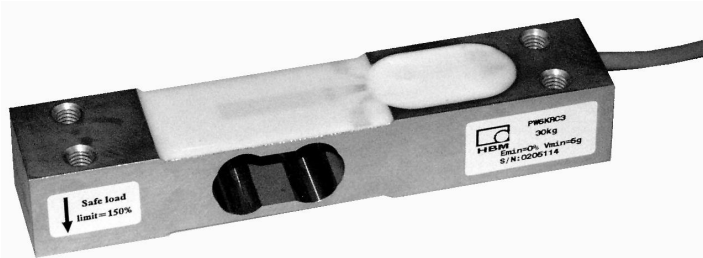


PW6KRC3...

Single point load cells

Special features

- Accuracy class C3 according to OIML-R60 approval
- Off center load compensated (OIML R76)
- Protection class IP65 according to EN 60 529
- shielded connection cable

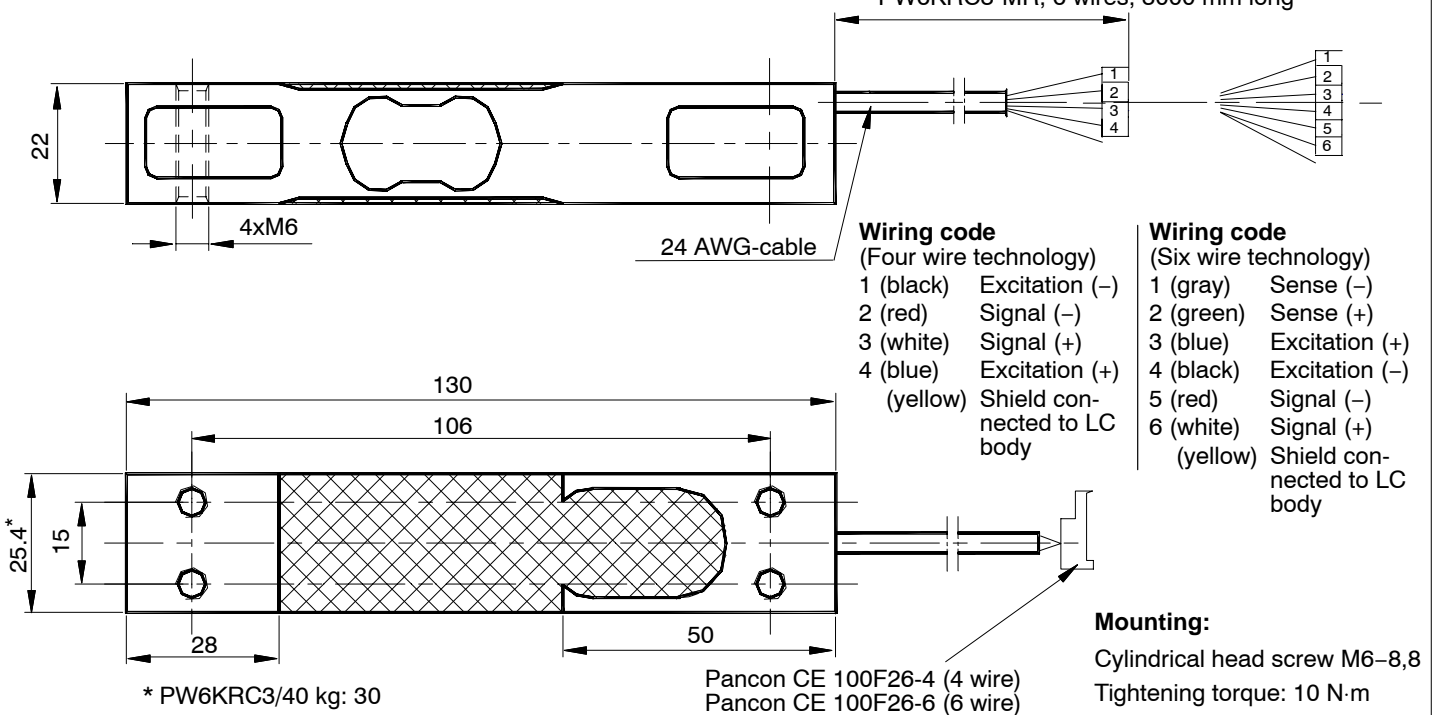


PW6KRC3-MR version:

- Reduced Minimum LC verification interval v_{min} for multi range applications
- Parallel connection of equal LC possible
- 6-wire circuit
- shielded connection cable (3 m)

Dimensions (in mm; 1 mm = 0.03937 inches)

Round cable: PW6KRC3, 4 wires, 350 mm long
PW6KRC3-MR, 6 wires, 3000 mm long



Specifications

Type	PW6KRC3								PW6KRC3-MR								
Accuracy class	C3 ¹⁾								C3MR								
Maximum number of load cell intervals (n_{LC})	3000								3000								
Maximum capacity (E_{max})	kg	3	5	10	15	20	30	40	3	5	10	15	20	30	40		
Minimum LC verification interval (v_{min})	g	0.5	1	2	5	5	5	10	0.2	0.5	1	2	2	2	5		
Temperature effect on zero balance (TK ₀)	% of C_n / 10K	± 0.0233	± 0.0280	± 0.0280	± 0.0186	± 0.0350	± 0.0233	± 0.0350	± 0.0093	± 0.0140	± 0.0140	± 0.0093	± 0.0140	± 0.0093	± 0.0175		
Max. platform size	mm	300 x 300								300 x 300							
Sensitivity (C_n)	mV/V	2.0 ± 0.1								2.0 ± 0.002							
Zero signal		0 ± 0.1								0 ± 0.1							
Temperat. effect on sensitivity (TK _C) ²⁾ Temperature range: +20 ... +40 °C [+68 ... +104 °F] -10 ... +20 °C [+14 ... +68 °F]	% of C_n / 10K	± 0.0175 ± 0.0117								± 0.0175 ± 0.0117							
Hysteresis error (d_{hy}) ²⁾	% of C_n	± 0.0150								± 0.0150							
Non-Linearity (d_{lin}) ²⁾		± 0.0150								± 0.0150							
Minimum dead load output return (DR)		± 0.0166								± 0.0166							
Off center load error ³⁾		± 0.0233								± 0.0233							
Input resistance (R_{LC})	Ω	420 ± 20								420 ± 20							
Output resistance (R_0)		350 ± 5								350 ± 0,3							
Reference excitation voltage (U_{ref})	V	5								5							
Nominal range of excitation voltage (B_U)		1 ... 12								1 ... 12							
Max. excitation voltage		15								15							
Insulation resistance (R_{is}) at 100 V _{DC}		GΩ	> 2								> 2						
Nominal temperature range (B_T)	°C [°F]	-10 ... +40 [+14 ... +104]								-10 ... +40 [+14 ... +104]							
Service temperature range (B_{tu})		-10 ... +50 [+14 ... +122]								-10 ... +50 [+14 ... +122]							
Storage temperature range (B_{ti})		-25 ... +70 [-13 ... +158]								-25 ... +70 [-13 ... +158]							
Safe load limit (E_L) [*]	% of E_{max}	150								150							
[*]) at max. eccentricity	mm	100								100							
Lateral load limit (E_{lq}), static	%	300								300							
Breaking load (E_d)	of E_{max}	300								300							
Nominal displacement at E_{max} (s_{nom}), approx.	mm	< 0.4								< 0.4							
Weight, without cable (G), approx.	kg	0.17						0.2	0.17						0.2		
Protection class according to (IEC529)		IP65								IP65							
Material: Measuring element		Aluminum								Aluminum							
Cover		Silicone rubber								Silicone rubber							
Cable sheet		PVC								PVC							

1) According to OIML R60 with $P_{LC} = 0.7$

2) The data for Non-linearity (d_{lin}), Hysteresis error (d_{hy}) and Temperature effect on sensitivity (TK_C) are typical values. The sum of these data meets the requirements according to OIML R60.

3) According to OIML R76.

Modifications reserved.

All details describe our products in general form only. They are not to be understood as express warranty and do not constitute any liability whatsoever.

Hottinger Baldwin Messtechnik GmbH

Im Tiefen See 45, D-64293 Darmstadt, Germany

Tel.: +49 6151 8030 Fax: +49 6151 803 9100

Email: support@hbm.com Internet: www.hbm.com



measurement with confidence