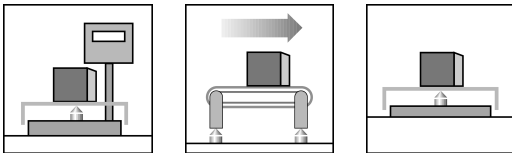


# PW6C...

## Single point load cells

### Special features

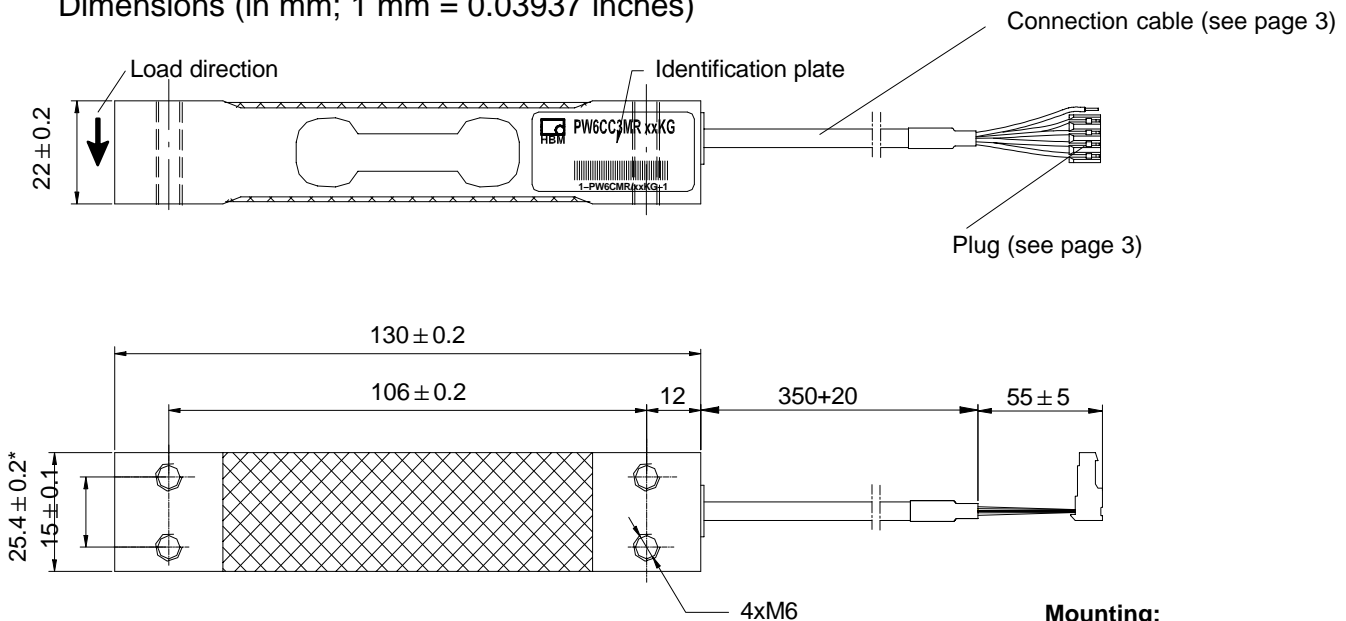
- Accuracy class C3 with OIML-R60 test report
- Off center load compensated (OIML R 76)
- Max. capacities: 3 kg ... 40 kg
- Degree of protection IP67 (according to EN 60 529)
- Shielded connection cable
- Optimized for static weighing applications



### Optional:

- Connection cable in six wire circuit
- Different cable lengths
- Aligned output, suitable for connection in parallel

Dimensions (in mm; 1 mm = 0.03937 inches)



### Mounting:

Fillister-head bolt M6-8.8  
Tightening torque: 10 N·m

\* PW6CC3MR/40 kg: 30

# Specifications

Type	PW6C...							
Accuracy class <sup>1)</sup>	C3, C3MR							
Maximum number of load cell intervals (n <sub>LC</sub> )	3000							
Maximum capacity (E <sub>max</sub> )	kg	3	5	10	15	20	30	40
Minimum LC verification interval (v <sub>min</sub> ), (Accuracy class C3)	g	0.5	1	2	2	5	5	10
Temperature effect on zero balance (TK <sub>0</sub> ) (Accuracy class C3)	% of C <sub>n</sub> / 10 K	±0.0233	±0.0280	±0.0280	±0.0186	±0.0350	±0.0233	±0.0350
Minimum LC verification interval (v <sub>min</sub> ), (Accuracy class C3MR)	g	0.2	0.5	1	1	2	2	5
Minimum LC verification interval (v <sub>min</sub> ) (Accuracy class C3MR)	% of C <sub>n</sub> / 10 K	±0.0093	±0.0140	±0.0140	±0.0093	±0.0140	±0.0093	±0.0175
Max. platform size	mm	300 x 300						
Sensitivity (C <sub>n</sub> )	mV/V	2.2 ± 0.2						
Zero signal	mV/V	0 ± 0.12						
Temperature effect on sensitivity (TK <sub>C</sub> ) <sup>2)</sup> in the temperature range +20 ... +40 °C [+68 ... +104 °F] -10 ... +20 °C [+14 ... +68 °F]	% of C <sub>n</sub> / 10 K	±0.0175 ±0.0117						
Relative reversibility error (d <sub>hy</sub> ) <sup>2)</sup>	% of C <sub>n</sub>	±0.0166						
Non-linearity (d <sub>lin</sub> ) <sup>2)</sup>	% of C <sub>n</sub>	±0.0166						
Ratio of minimum dead load output return (DR)	% of C <sub>n</sub>	±0.0245						
Off-center load error <sup>3)</sup>	% of C <sub>n</sub>	±0.0233						
Input resistance (R <sub>LC</sub> )	Ω	300...500						
Output resistance (R <sub>0</sub> )	Ω	300...500						
Reference excitation voltage (U <sub>ref</sub> )	V	5						
Nom. range of excitation voltage (B <sub>U</sub> )	V	1 ... 12						
Isolation resistance (R <sub>is</sub> ) at 100 V <sub>DC</sub>	GΩ	> 2						
Nominal (rated) range of ambient temperature (B <sub>T</sub> )	°C [°F]	-10 ... +40 [+14 ... +104]						
Operating temperature range (B <sub>TU</sub> )	°C [°F]	-10 ... +50 [+14 ... +122]						
Storage temperature range (B <sub>Tl</sub> )	°C [°F]	-25 ... +70 [-13 ... +158]						
Limit load (E <sub>L</sub> ) *)	% of E <sub>max</sub>	150						
*) at max. eccentricity	mm	100						
Lateral load limit (E <sub>lq</sub> ), static	% of E <sub>max</sub>	300						
Breaking load (E <sub>d</sub> )	% of E <sub>max</sub>	300						
Nominal (rated) displacement at E <sub>max</sub> (s <sub>nom</sub> ), approx.	mm	< 0.5						
Weight (G), approx.	kg	0.25						
Degree of protection acc. to EN 60 529 (IEC 529)		IP67						
Material: Measuring body Application protection Cable sheath		Aluminum Silicone caoutchouc PVC						

1) According to OIMLR60 with P<sub>LC</sub> = 0.7

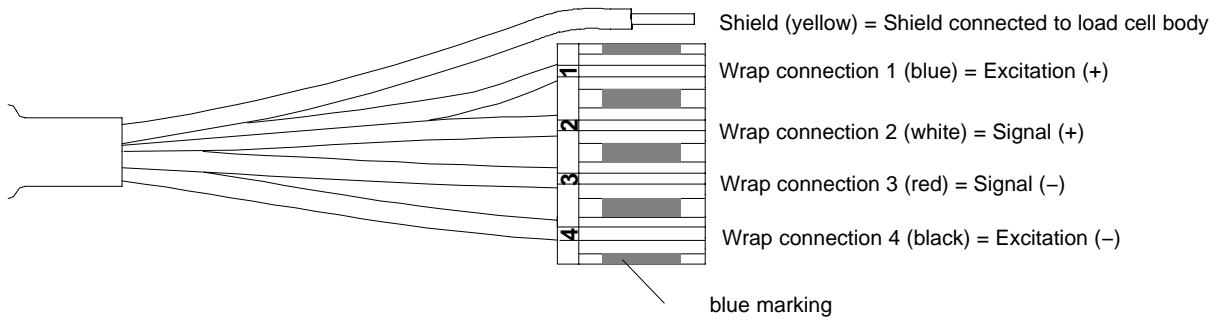
2) The values for linearity deviation (d<sub>lin</sub>), relative reversibility error (d<sub>hy</sub>) and temperature effect on sensitivity (TK<sub>C</sub>) are recommended values. The sum of these values remain within the cumulated error limit acc. to OIML R60.

3) According to OIML R76.

## Wiring code

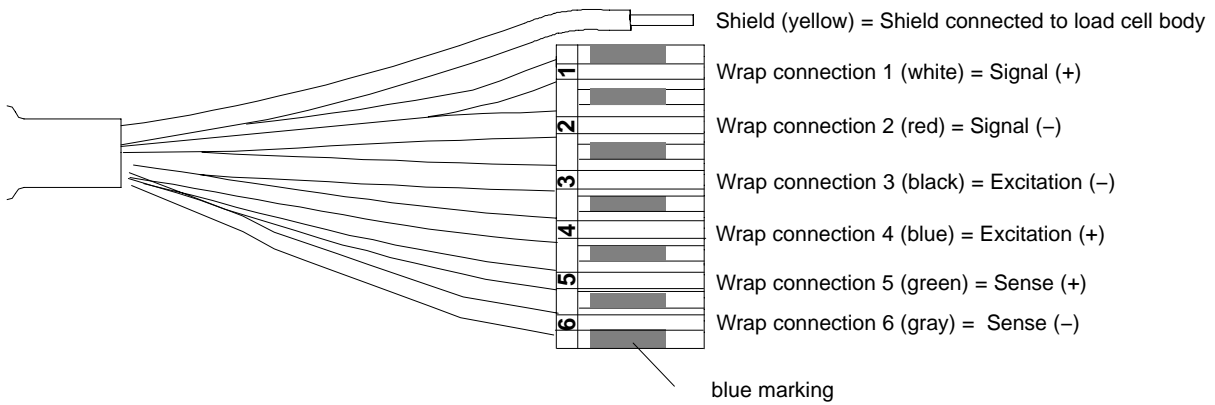
### Connection with 4 wire cable (cable length: 0.35 m)

Detailed description of the Pancon plug (CE100F26-4), 4-pole



### Connection with 6 wire cable (cable length, selectable: 0.35 m; 1.5 m; 3 m; 6 m)

Detailed description of the Pancon plug (CE100F26-6), 6-pole



## Ordering designations

### PW6C... (Aluminum)

Type	PW6C	
Accuracy	C3-MR (OIML)	
Note	Cable length 0.35m (4 wire)	
Capacity	Order no.	
3kg	1-PW6CMR/3KG-1	
5kg	1-PW6CMR/5KG-1	
10kg	1-PW6CMR/10KG-1	
15kg	1-PW6CMR/15KG-1	
20kg	1-PW6CMR/20KG-1	
30kg	1-PW6CMR/30KG-1	
40kg	1-PW6CMR/40KG-1	

### K-PW6C-... (Aluminum), optional versions

Order no.		
K-PW6C		
Code	Option 1: Mechanical version	
N	-	
Code	Option 2: Accuracy	
C3	C3 (OIML)	
MR	C3-MR (OIML)	
Code	Option 3: Capacity	
3	3kg	
5	5kg	
10	10kg	
15	15kg	
20	20kg	
30	30kg	
40	40kg	
Code	Option 4: NN	
N	-	
Code	Option 5: Cable length	
4_0.35	0.35m (4 wire)	
6_0.35	0.35m (6 wire)	
6_1.5	1.5m (6 wire)	
6_3	3m (6 wire)	
6_6	6m (6 wire)	
Code	Option 6: Miscellaneous	
N	without	
A	2mV/V $\pm 0.1\%$ / 410 Ohms $\pm 0.3$ Ohms (aligned output, suitable for connection in parallel)	
K-PW6C - N - [ ] - [ ] - N - [ ] [ ] [ ] [ ] [ ] - [ ]		

Modifications reserved.

All details describe our products in general form only. They are not to be understood as express warranty and do not constitute any liability whatsoever.

B1994-1.0 en

Hottinger Baldwin Messtechnik GmbH

Im Tiefen See 45, D-64293 Darmstadt, Germany

Tel.: +49 6151 803-0 Fax: +49 6151 803 9100

Email: [support@hbm.com](mailto:support@hbm.com) Internet: [www.hbm.com](http://www.hbm.com)



measurement with confidence