

WE2108S / WE2108M

Stainless steel Scale electronic unit (NAWI)

WE2108S

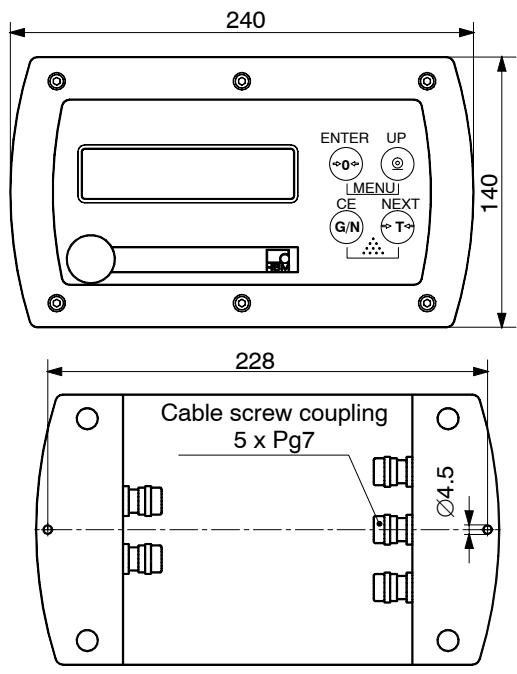


WE2108M

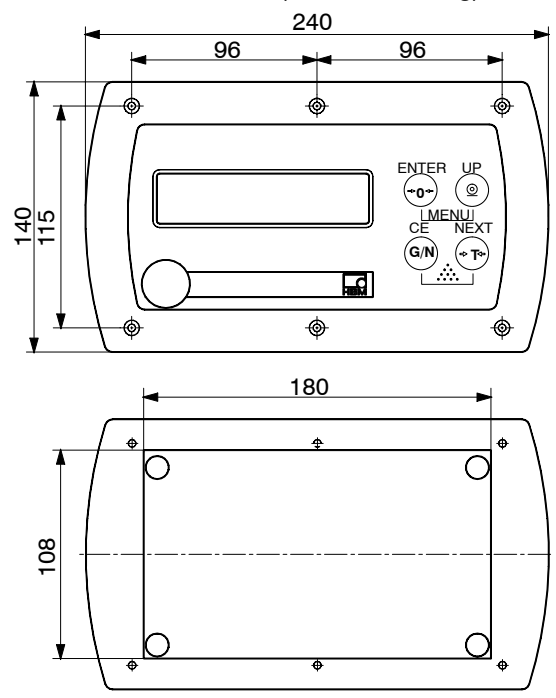
Special features

- OIML-class up to 6000 d
- Multi-Range / Multi-Interval
- Basic functions:
Gross, Net, Tare, Printing
- Counting scale function
- RS-232 or RS-485-interface
- Two digital in- / outputs
- Protection class IP65

Dimensions (in mm; 1 mm= 0.03937 inches)
WE2108S (Wall mounting or Desktop unit)

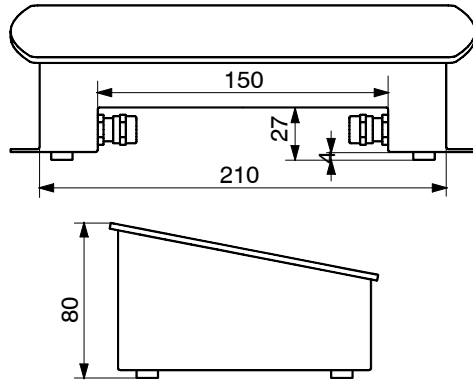


WE2108M (Panel mounting)

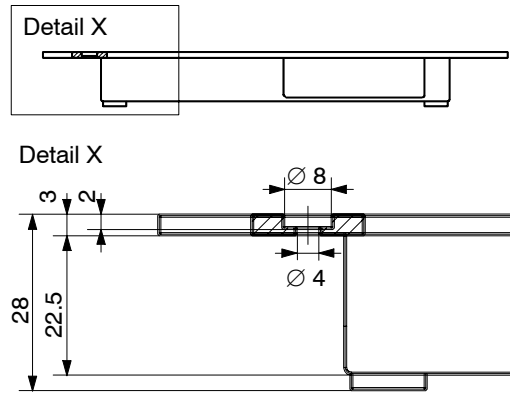


Dimensions (in mm; 1 mm= 0.03937 inches)

WE2108S (Wall mounting or Desktop unit)



WE2108M (Panel mounting)



Specifications

Types: with RS-232-Interface: with RS-485-Interface:		WE2108S; WE2108M WE2108S-485; WE2108M-485
Max. number of scale intervals accord. to OIML R76 (class III, IIII)	d	6000; 2x 3000; Multi-Range; Multi-Interval
Input sensitivity	$\mu\text{V/e}$	≥ 1
Measuring range	mV/V	0 ... 2.7
Min. input impedance of the load cell	Ω	87
Max. input impedance of the load cell	Ω	2000
Load cell excitation voltage	V_{DC}	6.5
Cable length between WE2108 and load cell(s)	m	max. 100
Measuring rate	Meas./s	50 ... 28
Filter Cut-off frequency (-3 dB)	Hz	2 ... 12
Transient respond time	ms	90 ... 625
Power supply	V_{DC}	10 ... 35
Power consumption (incl. Display lighting)	W	2.5
Display		LCD with back-lighting
Hight of display	mm	20
Status symbols		Zero, Net, Motion, Unit, Range
Keys		Foil keyboard (tactile feedback)
2 Digital inputs (e.g. Brutto, Tare, Net, Printer)		Active level <0.8 V, Ri=10 k Ω
Permissible range of voltage	V	-30 ... +30
2 Digital outputs (e.g. for PLC)	V	max. 40 (Open Collector)
Max. current	A	0.2 typ.
Serial interface		1x RS-232 or 1x RS-485
Baud-rate, adjustable	Bd	1200 ... 9600
Serial interface functions		Print, serial display (autom. output), PC-connection via RS-232 or RS-485
Nominal temperature range	$^{\circ}\text{C}$ [$^{\circ}\text{F}$]	-10 ... +40 [14 ... 104]
Service temperature range	$^{\circ}\text{C}$ [$^{\circ}\text{F}$]	-10 ... +60 [14 ... 140]
Storage temperature range	$^{\circ}\text{C}$ [$^{\circ}\text{F}$]	-30 ... +70 [-22 ... 158]
Connection / Fitting	WE2108S / WE2108S-485: WE2108M / WE2108M-485:	5x Pg 7 Screw terminal
Weight, approx.	WE2108S / WE2108S-485: WE2108M / WE2108M-485:	1.8 1
Protection class acc. to EN 60 529 (IEC 529)		IP65 (WE2108M only front plate)
Immunity level (EMC) accord. to EN 45501 (3 V/m)		additional tested up to 10 V/m
Housing material		Stainless steel (WE2108M / WE2108M-485 only front plate)

Accessories (to be ordered separately):

- CD-ROM with WE2108-Panel-Software and Communication Protocol for PC
- Power supply unit (100 ... 240 V), Order no. 1-AC/DC15V/550mA

Modifications reserved.

All details describe our products in general form only. They are not to be understood as express warranty and do not constitute any liability whatsoever.

Hottinger Baldwin Messtechnik GmbH

Im Tiefen See 45, D-64293 Darmstadt, Germany

Tel.: +49 6151 8030; Fax: +49 6151 803 9100

E-mail: support@hbm.com www.hbm.com



measurement with confidence