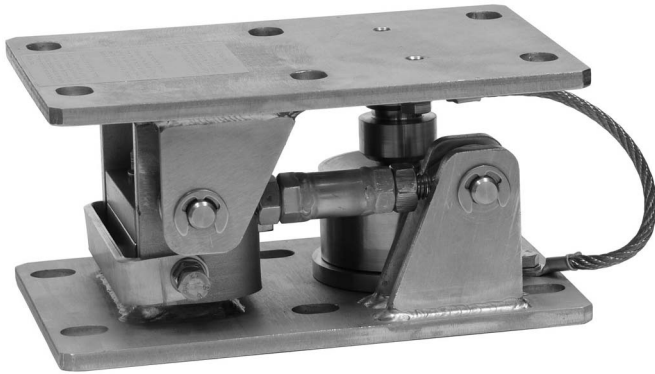


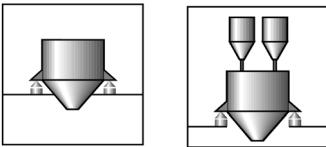
C2A/M1(L)BR...

Weighing modules for
C2A load cells 1 t...10 t



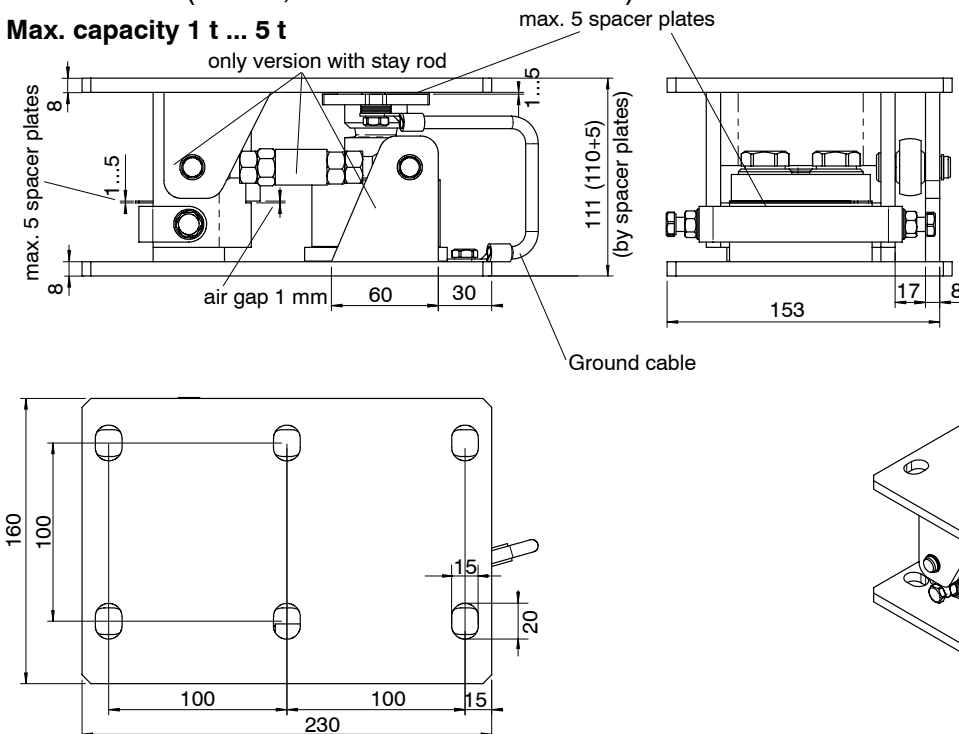
Special features

- Compact design
- Equipped with pendulum bearing
- Integrated anti-liftoff device
- Integrated horizontal stops
- Dummy function
- Material: stainless steel
- With stay rod
(→ also available without stay rod)
- Certified by Technical Inspection Agency (TÜV)

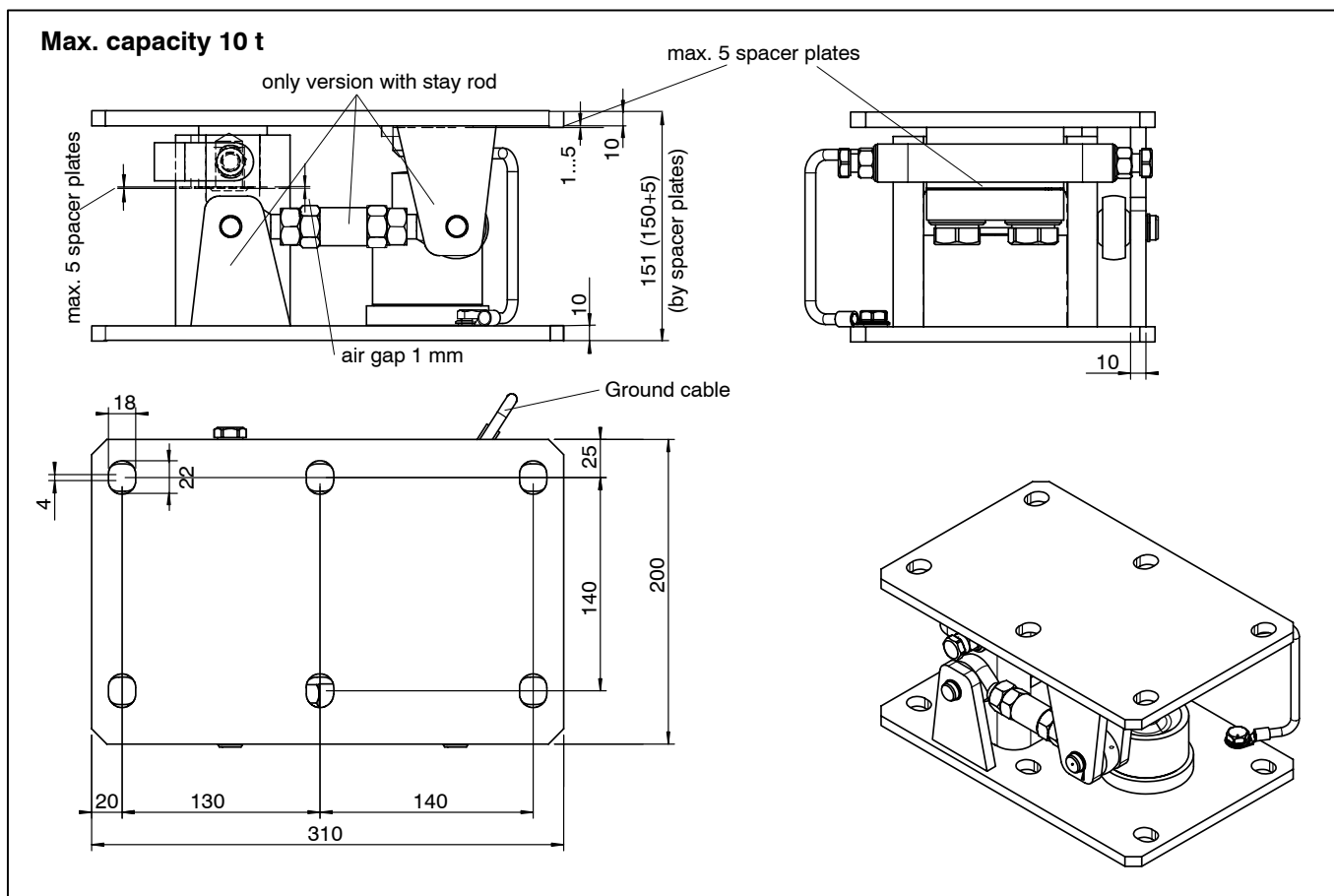


Dimensions (in mm; 1 mm= 0.03937 inches)

Max. capacity 1 t ... 5 t



Dimensions (in mm; 1 mm= 0.03937 inches)



Specifications

Type		C2A/M1(L)BR5T			C2A/M1(L)BR10T
Max. capacity (E_{max}) of the load cell	t	1	2	5	10
Limit load		150			
Max. permissible loading of the horizontal stops transverse to stay rod axis	% of E_{max}	4.7			22
Restoring force for 1 mm horizontal deflection [% of applied load]		11.5	15	16.7	4.4
Max. permissible horizontal deflection	mm	4			
Max. permissible lifting force ¹⁾	kN	20			50
Max. permissible horizontal force in stay rod axis ¹⁾	kN	10			30
Material: Metall parts		stainless steel			
Weight (with dummy), approx.	kg	9.5			20
Minimum lifting height to install the load cell	mm	10			
Height adjustment (spacer plates in scope of delivery)	mm	5			

¹⁾ These specifications are based on DIN 18800

Ordering codes

Type	C2A/M1(L)BR...	
Material	stainless steel	
Accuracy class ¹⁾	D1, C3, C4 (OIML)	
Max. capacities	With stay rod Order-no.	Without stay rod Order-no.
1 t	1-C2A/M1LBR/5T	1-C2A/M1BR/5T
2 t		
5 t		
10 t	1-C2A/M1LBR/10T	1-C2A/M1BR/10T


¹⁾ dependent on the assigned load cell

Scope of supply:

Weighing module complete mounted (without C2A load cell).

Attention: Instead of the load cell, a dummy is installed, which is able to support the load up to the specified values above. Please take care you have to lift the tank in mounted condition min. 10 mm to change the dummy to the C2A load cell.

C2A Load cells, optional versions [!!!]:

Order no.		
K-C2A		
Code	Option 1: Design	
S	Standard	
Code	Option 2: Accuracy	
D1	D1 (OIML)	
C3	C3 (OIML)	
C4	C4 (OIML)	
Code	Option 3: Capacity	
1	1t	
2	2t	
5	5t	
10	10t	
Code	Option 4: Ex protection (accord. to ATEX 95)	
N	non ATEX	
1	ATEX Zone 1 + 21	
2	ATEX Zone 2 + 22 (non-conductive dust)	
Code	Option 5: Cable length	
S6	6m (Standard) [only with Option 3 = 1 / 2 / 5]	
S12	12m (Standard) [only with Option 3 = 10]	
12	12m [only with Option 3 = 1 / 2 / 5]	
20	20m	
K-C2A - [S] - [] - [] - [] - []		

[!!!]: Not all codes can be combined with each other. Please take heed of the terms in the square brackets!

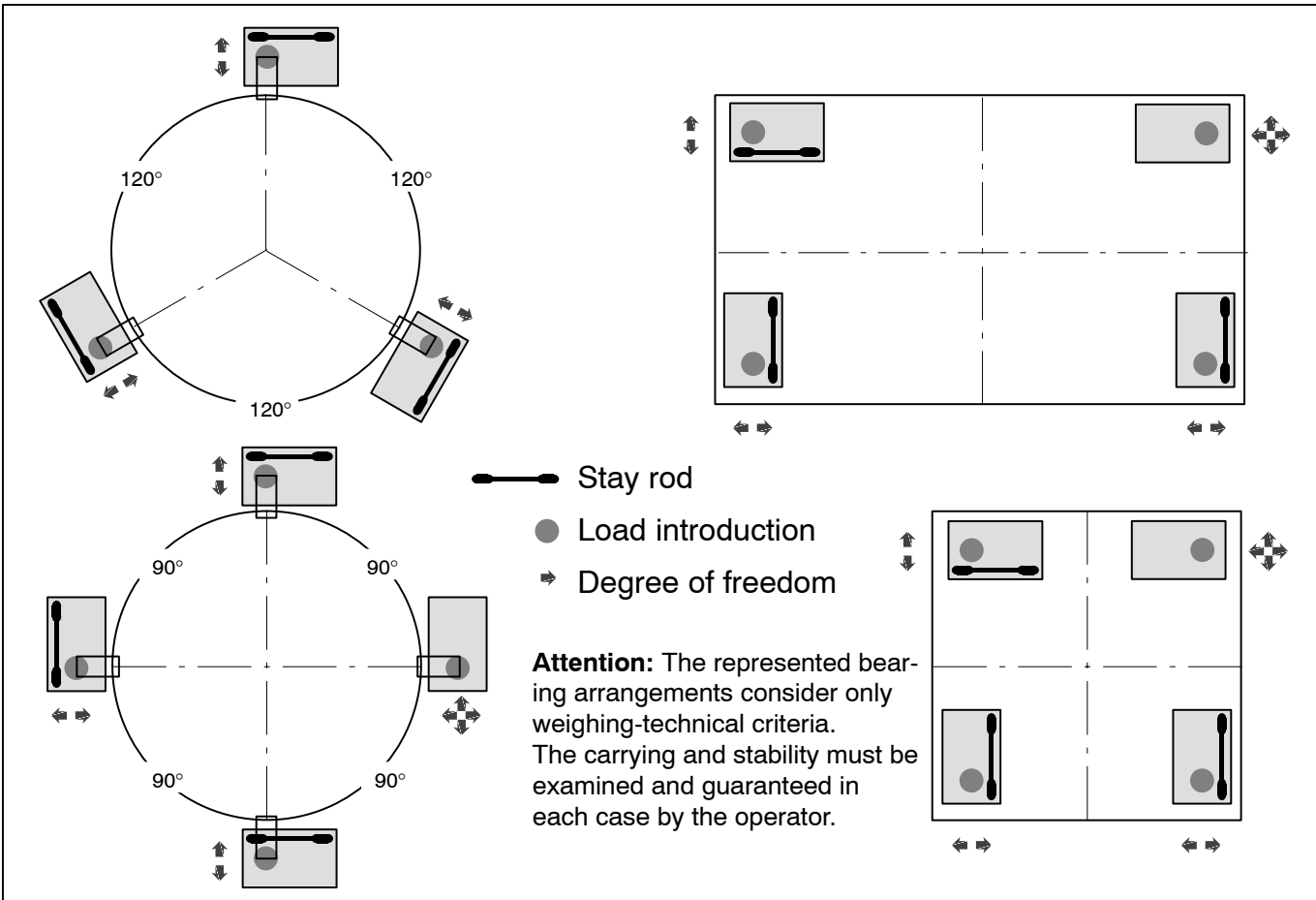
For additional information on the appropriate load cells, please refer to our data sheet C2A.

Further accessory:

Fixed bearings with the same installation height as the C2A weighing module. Please find further information in a separate data sheet.



Mounting examples of weighing modules with stay rods



Modifications reserved.
 All details describe our products in general form only. They are not to be understood as express warranty and do not constitute any liability whatsoever.

Hottinger Baldwin Messtechnik GmbH

Im Tiefen See 45, D-64293 Darmstadt, Germany
 Tel.: +49 6151 803-0 Fax: +49 6151 803 9100
 Email: support@hbm.com Internet: www.hbm.com



measurement with confidence