

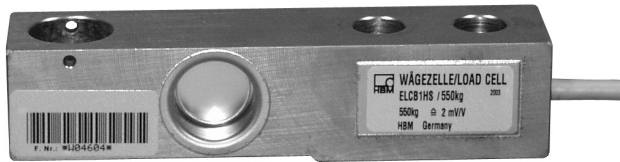
ELCB...

Load cells

ELCB1

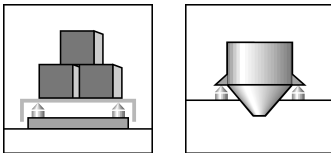


ELCB1 HS

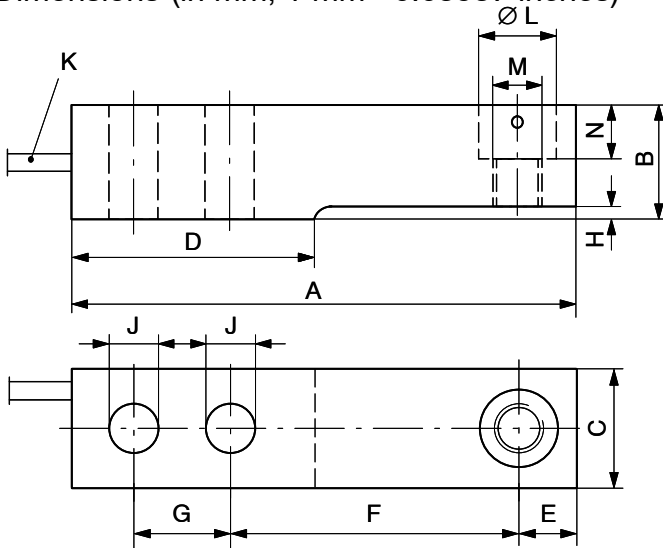


Special features

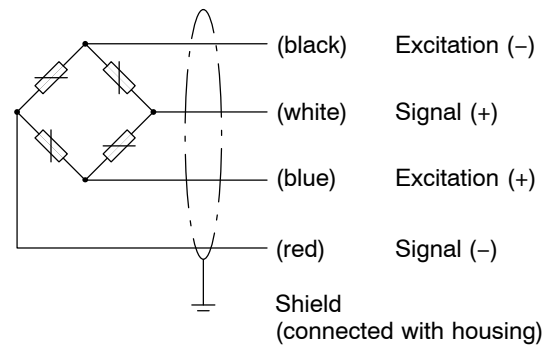
- Small dimensions
- Max. capacities: 220 kg ... 1.76 t
- Stainless steel
- Meets EMC standards (EN 45 501)
- Protection class IP 67 (ELCB1) or IP 68 (ELCB1 HS)



Dimensions (in mm; 1 mm= 0.03937 inches)



Wiring code:



Max. capacity (E_{max})	A	B	C	D	E	F	G	H	J	K	∅ L	M	N
220 kg; 550 kg; 1.1 t; 1.76 t	133.4	30.2	30.7	57.7	15.4	76.2	25.4	1.7	13	3 m	20.6	M12	14.2

Specifications

Type		ELCB1	ELCB1 HS
Maximum capacity (E_{max})		550 kg; 1.1 t; 1.76 t	220 kg; 550 kg; 1.1 t; 1.76 t
Accuracy class		1 %	1 %
Sensitivity (C_n)	mV/V	2 ± 1 %	2 ± 1 %
Temperature effect on sensitivity (TK_C)	% of C_n / 10 K	± 0.4000	± 0.4000
Temperature effect on zero balance (TK_0)		± 0.4000	± 0.4000
Hysteresis error (d_{hy})	% of C_n	± 0.1000	± 0.1000
Non-linearity (d_{lin})		± 0.1000	± 0.1000
Creep (d_{cr}) over 30 min.		± 0.1000	± 0.1000
Input resistance (R_{LC})	Ω	> 350	> 350
Output resistance (R_0)		344 ± 2	344 ± 2
Reference excitation voltage (U_{ref})	V	5	5
Nominal range of excitation voltage (B_U)		0.5 ... 15	0.5 ... 15
Insulation resistance (R_{is})	G Ω	> 5	> 5
Nominal temperature range (B_T)	$^{\circ}C$ [$^{\circ}F$]	-10 ... +40 [+14 ... +104]	-10 ... +40 [+14 ... +104]
Service temperature range (B_{tu})		-30 ... +70 [-22 ... +158]	-30 ... +70 [-22 ... +158]
Storage temperature range (B_{st})		-50 ... +85 [-58 ... +185]	-50 ... +85 [-58 ... +185]
Safe load limit (E_L)	% of E_{max}	150	150
Breaking load (E_d)		300	300
Lateral load limit (E_{lq})		100	100
Permissible dynamic load (F_{srel}) (vibration amplitude according to DIN 50100)		70	70
Deflection at E_{max} (s_{nom}), approx.	mm	0.5	0.5
Weight (G) E_{max} 220 kg ... 1,76 t	kg	~ 0.9	~ 0.9
Protection class accord. to EN60529 (IEC529)		IP67	IP68
Material: Measuring element		Stainless steel	Stainless steel
Cable entry		Stainless steel (Gasket: Neoprene)	Stainless steel (Gasket: Neoprene)
Cable sheath		TPE	TPE
Application protection (sealing)		Silicone	hermetically welded

Accessories (see Data sheet "HLC... - Load Cells"):

In order to minimize error interferences due to load introduction, HBM offers various proven load introductions for this load cell type, depending on the mounting situation:

HLCB/ZFP/...T	Swivel load foot
HLCB/ZAK/1.76T	Swivel load foot (height adjustable)
HLCB/...T/ZEL	Elastomer bearing
HLCB/ZDP/...T	Elastomer bearing <i>Easy Top</i>
HLC/ZPU/...T	Base plate / Mounting kit

Modifications reserved.

All details describe our products in general form only. They are not to be understood as express warranty and do not constitute any liability whatsoever.

Hottinger Baldwin Messtechnik GmbH

Im Tiefen See 45, D-64293 Darmstadt, Germany
Tel.: +49 6151 803-0; Fax: +49 6151 8039100
E-mail: support@hbm.com www.hbm.com



measurement with confidence