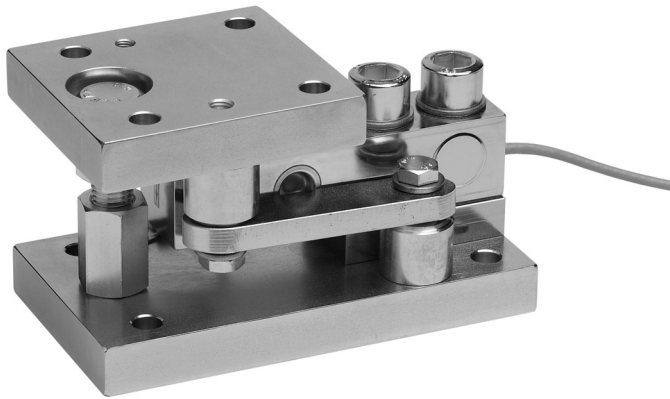




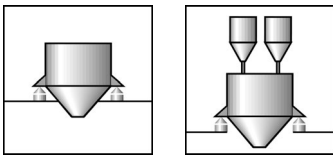
HLCM...

Weighing module for
220 kg ... 4.4 t

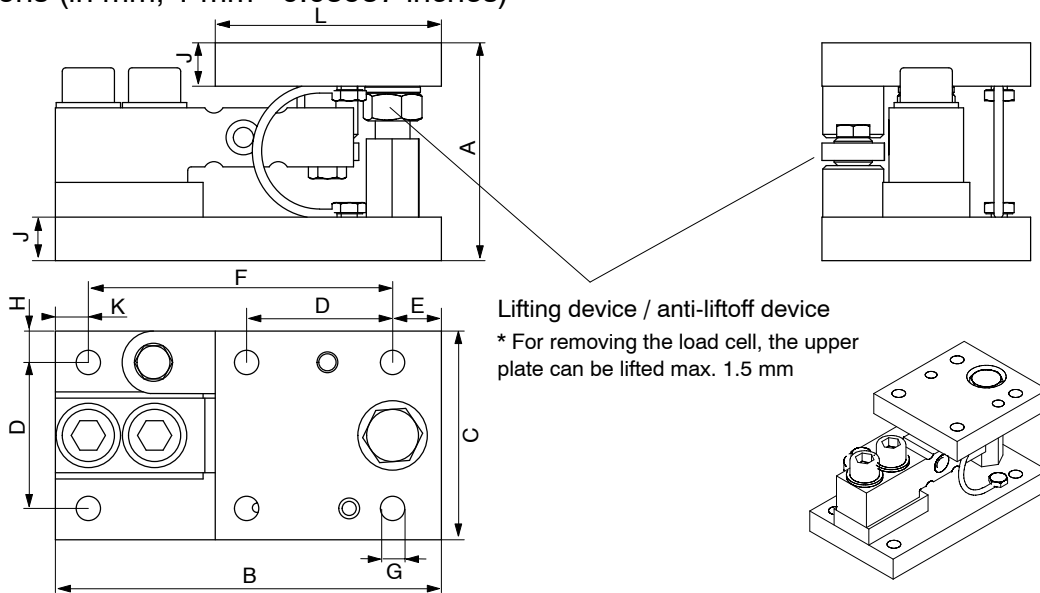


Special features

- Equipped with load cell HLCB class D1 or C3, qualified for legal for trade applications according to OIML R60
- Compact installation at minimum installation height
- With stay rod
- Self-restoring due to pendle bearing
- Two versions available:
 - Galvanized material
 - Stainless steel (preferred types)
- With anti-liftoff device and lifting device



Dimensions (in mm; 1 mm= 0.03937 inches)



Max. capacity	A	B	C	D	E	F	ØG	H	J	K	L
220 kg; 550 kg; 1.1 t; 1.76 t; 2 t	93.6 ^{±1.6}	170	100	70	17	136	13.5	15	19	17	104
2.2 t	125.3 ^{±2}	220	120	84	25.5	175	14	18	23	19.5	135
4.4 t	125.3 ^{±2}	220	120	84	25.5	175	14	18	23	19.5	135

Specifications

Maximum capacity		220 kg; 550 kg; 1.1 t; 1.76 t	2 t ¹⁾	2.2 t; 4.4 t
Limit load HLC/MLB... HLC/MLBR...	% of maximum capacity	150 120	130 105	150 120
Breaking load	% of maximum capacity	200		
Restoring force (for 1 mm side offset)	% of applied load	7.7		
Max. permissible horizontal shift transverse to the stay rod axis ²⁾	mm	1.5		
Max. permissible static horizontal force in stay rod axis	kN	10	22	
Max. permissible lifting force	kN	20	44	
Material		Galvanized or Stainless steel		
Weight (depending on version, incl. load cell)	kg	7 ... 10		

¹⁾ Not available in C3 class version!

²⁾ for horizontal adjustment of upper module plate


For additional information on the appropriate load cells, please refer to the Data sheet HLC...

Ordering codes

HLC/M3LB-Modules (incl. load cell HLCB...), preferred types

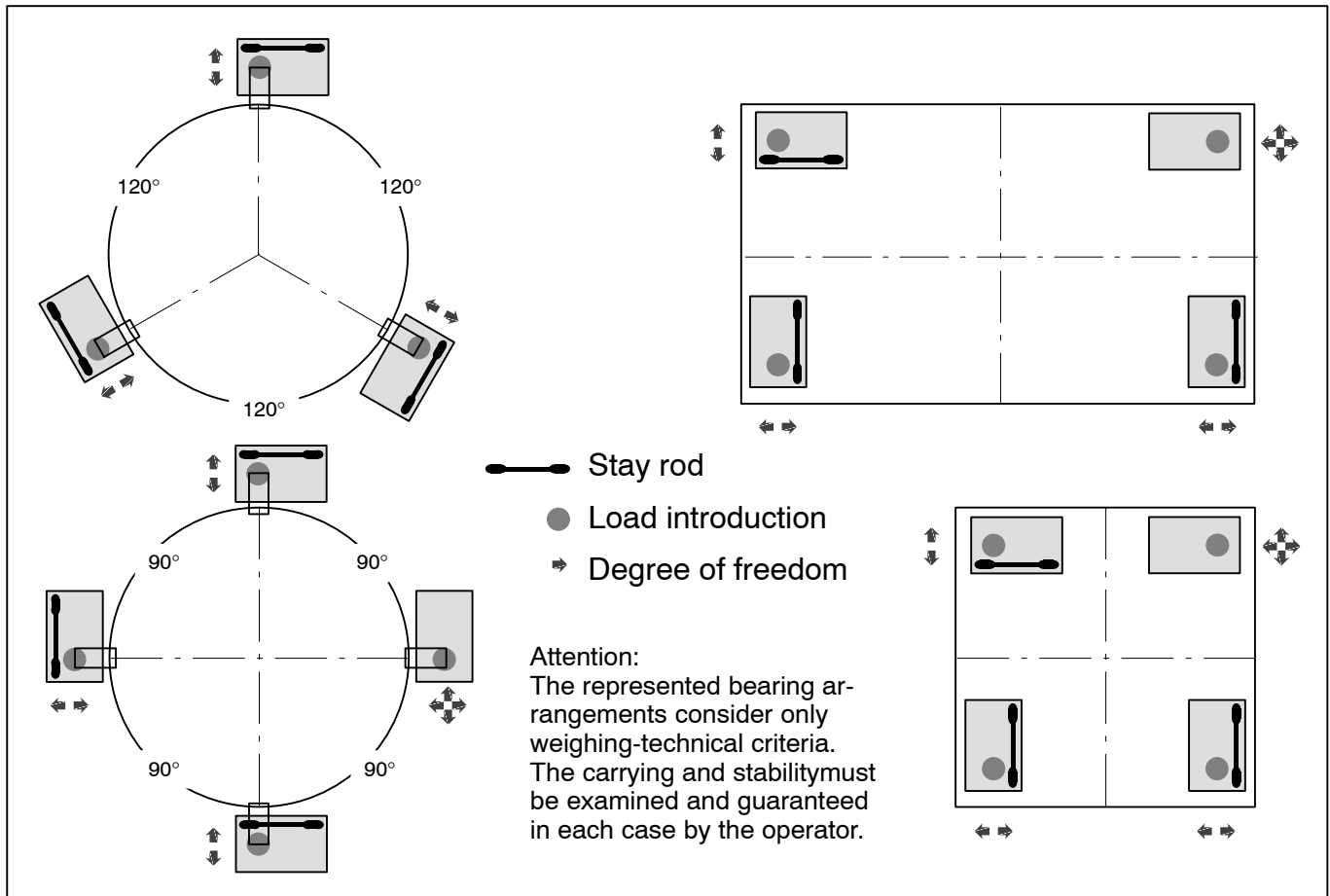
Type	HLC/M3LB
Material	Stainless steel
Accuracy class	C3 (OIML)
Maximum capacity	Order no.
220 kg	1-HLC/M3LBR220KG
550 kg	1-HLC/M3LBR550KG
1.1 t	1-HLC/M3LBR1.1T
1.76 t	1-HLC/M3LBR1.76T
2.2 t	1-HLC/M3LBR2.2T
4.4 t	1-HLC/M3LBR4.4T

Ordering codes HLC/M-Modules (incl. load cell HLCB...), optional versions

Order no.		
K-HLCM		
Code	Option 1: Material	
V	Galvanized	
R	Stainless steel	
Code	Option 2: Accuracy	
D1	D1 (OIML)	
C3	C3 (OIML) [not with Option 3 = 2000]	
Code	Option 3: Capacity	
220	220kg	
550	550kg	
1100	1.1t	
1760	1.76t	
2000	2t [only with Option 2 = D1]	
2200	2.2t	
4400	4.4t	
Code	Option 4: Ex protection (accord. to ATEX 95)	
N	non ATEX	
1	ATEX Zone 1 + 21	
2	ATEX Zone 2 + 22 (non-conductive dust)	
Code	Option 5: Cable length	
S3	3m (Standard) [only with Option 3 = 220 / 550 / 1100 / 1760 / 2000]	
S6	6m (Standard) [only with Option 3 = 2200 / 4400 / 10]	
6	6m [only with Option 3 = 220 / 550 / 1100 / 1760 / 2000]	
12	12m [only with Option 3 = 220 / 550 / 1100 / 1760 / 2000]	
K-HLCM - <input type="checkbox"/> - <input type="checkbox"/> - <input type="checkbox"/> - <input type="checkbox"/> - <input type="checkbox"/> - <input type="checkbox"/>		

[!!!]: Not all codes can be combined with each other. Please take heed of the terms in the square brackets!

Mounting example of weighing modules with stay rods:



Scope of supply:

Weighing module complete mounted with pendle support, stay rod, grounding cable and load cell type HLCB.D1/... ²⁾

Modifications reserved.
 All details describe our products in general form only. They are not to be understood as express warranty and do not constitute any liability whatsoever.

Hottinger Baldwin Messtechnik GmbH

Im Tiefen See 45, D-64293 Darmstadt, Germany
 Tel.: +49 6151 803-0 Fax: +49 6151 803 9100
 Email: support@hbm.com Internet: www.hbm.com



measurement with confidence