

Product Description

The type PC6 is a stainless steel single point load cell with complete hermetic sealing. It is a perfect fit for use in harsh industrial environments and wash down applications.

Application

- Bench and floor scales, conveyor scales, check weighers, packaging machines and industrial process control

Key Features

- Wide range of capacities from 10 kg to 200 kg
- Stainless steel construction
- Environmental Protection IP68 with complete hermetic sealing
- Maximum platform size up to 600 x 600 mm
- High input resistance
- Integral mounting spacer

Approvals

- OIML approval to C3 (Y = 12 500), C3 M16 (Y = 12 500) and C4 (Y = 12 500)
- NTEP approval to 5 000 intervals, Class III
- ATEX hazardous area approval for Zone 0, 1, 2, 20, 21 and 22
- FM hazardous area approval

Options

- Y = 25 000 for C3, C3 M16 and C4
- Digital version PC6D-20 kg with CANOpen output available on request

Packed Weight

- 1.32 kg

Available Accessories

- Compatible range of electronics

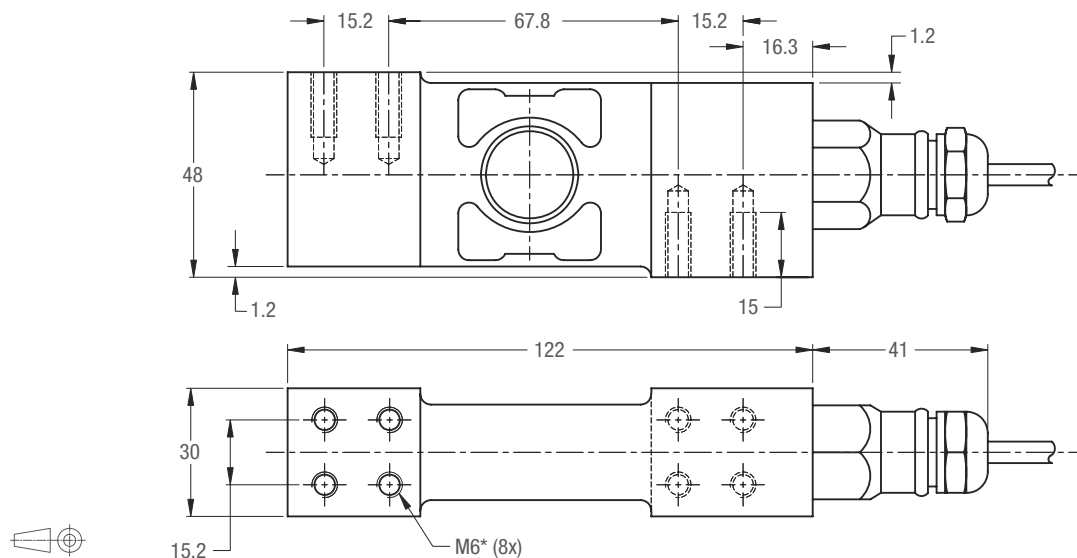
Specifications

		(E _{max})	kg	10 / 20 / 50 / 100 / 200			
Accuracy class according to OIML R60				(GP)	C3	C3 MI 6	C4
Maximum number of verification intervals		(n _{LC})		n.a.	3 000		4 000
Minimum load cell verification interval		(v _{min})		n.a.	E _{max} /12 500		
Temperature effect on minimum dead load output		(TC ₀)	%*RO/10°C	≤ ± 0.0400	≤ ± 0.0112		
Temperature effect on sensitivity		(TC _{RO})	%*RO/10°C	≤ ± 0.0200	≤ ± 0.0100		≤ ± 0.0080
Combined error			%*RO	≤ ± 0.0500	≤ ± 0.0200	≤ ± 0.0180	≤ ± 0.0180
Non-linearity			%*RO	≤ ± 0.0400	≤ ± 0.0166	≤ ± 0.0166	≤ ± 0.0125
Hysteresis			%*RO	≤ ± 0.0400	≤ ± 0.0166	≤ ± 0.0083	≤ ± 0.0125
Creep error (30 minutes) / DR			%*RO	≤ ± 0.0600	≤ ± 0.0166	≤ ± 0.0083	≤ ± 0.0125
Option	Min. load cell verification interval	(v _{min opt})		n.a.	E _{max} /25 000		
	Temp. effect on min. dead load output	(TC _{0 opt})	%*RO/10°C	n.a.	≤ ± 0.0056		
Rated Output		(RO)	mV/V	2 ± 5%			
Zero balance			%*RO	≤ ± 5			
Excitation voltage			V	5...15			
Input resistance		(R _{LC})	Ω	1 100 ± 50			
Output resistance		(R _{out})	Ω	960 ± 50			
Insulation resistance (100 V DC)			MΩ	≥ 5 000			
Safe load limit		(E _{lim})	%*E _{max}	200			
Ultimate load			%*E _{max}	300			
Safe side load			%*E _{max}	100			
Maximum platform size; loading acc. to OIML R76			mm	350 x 350 for 10...20 kg / 500 x 500 for 50 kg / 600 x 600 for 100...200 kg			
Maximum off centre distance at maximum capacity			mm	115 for 10...20 kg / 166 for 50 kg / 200 for 100...200 kg			
Compensated temperature range			°C	-10...+40			
Operating temperature range			°C	-40...+80 (ATEX -40...+60)			
Load cell material				stainless steel 17-4 PH (1.4548)			
Sealing				complete hermetic sealing; cable entry sealed by glass to metal header			
Protection according DIN 40.050				IP68/IP69K			

The limits for Non-Linearity, Hysteresis, and TC_{RO} are typical values.

The sum of Non-linearity, Hysteresis and TC_{RO} meets the requirements according to OIML R60 with p_{LC}=0.7.

Dimensions (in mm)



Mounting bolts M6 8.8; torque 10 Nm. Torque value assumes oiled threads.

* Unified thread 1/4-20 UNC is available.

Wiring

- The load cell is provided with a shielded, 4 conductor cable (AWG 24). Cable jacket polyurethane.
- Cable length: 3 m
- Cable diameter: 5 mm
- The shield is floating

On request 6 conductor cable and the shield connected to the load cell body available.

