

Product Description

The type PC60 is an aluminium single point load cell with an improved potting.

Application

- Bench and floor scales, conveyor scales and medical scales

Key Features

- Wide range of capacities from 30 kg to 750 kg
- Aluminium construction
- Environmental Protection IP67
- Maximum platform size up to 600 x 600 mm

Approvals

- OIML approval to C3 (Y = 7 500)
- ATEX hazardous area approval for Zone 0, 1, 2, 20, 21 and 22
- FM hazardous area approval

Option

- Y = 15 000 for C3

Packed Weight

- 2.0 kg

Available Accessories

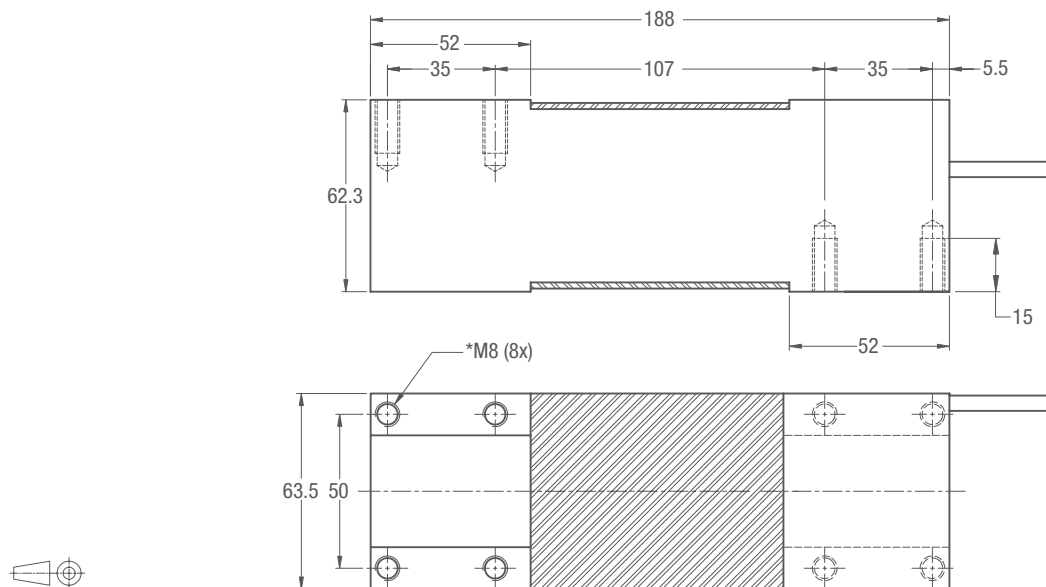
- Compatible range of electronics

PC60 Specifications

		(E _{max})	kg	30 / 50 / 100 / 200 / 300 / 500 / 750	
Maximum capacity				(GP)	C3
Accuracy class according to OIML R60				n.a.	3 000
Maximum number of verification intervals		(n _{max})		n.a.	E _{max} / 7 500
Minimum load cell verification interval		(v _{min})		n.a.	E _{max} / 7 500
Temperature effect on minimum dead load output		(TC ₀)	%*RO/10°C	≤ ± 0.0400	≤ ± 0.0187
Temperature effect on sensitivity		(TC _{RO})	%*RO/10°C	≤ ± 0.0200	≤ ± 0.0100
Combined error			%*RO	≤ ± 0.0500	≤ ± 0.0200
Non-linearity			%*RO	≤ ± 0.0400	≤ ± 0.0166
Hysteresis			%*RO	≤ ± 0.0400	≤ ± 0.0166
Creep error (30 minutes) / DR			%*RO	≤ ± 0.0600	≤ ± 0.0166
Option	Min. load cell verification interval	(v _{min opt})		n.a.	E _{max} / 15 000
	Temp. effect on min. dead load output	(TC _{0 opt})	%*RO/10°C	n.a.	≤ ± 0.0093
Rated Output		(RO)	mV/V	2 ± 10%	
Zero balance			%*RO	≤ ± 5	
Excitation voltage			V	5...15	
Input resistance		(R _{LC})	Ω	413 ± 20	
Output resistance		(R _{out})	Ω	350 ± 25	
Insulation resistance (100 V DC)			MΩ	≥ 5 000	
Safe load limit		(E _{lim})	%*E _{max}	150	
Ultimate load			%*E _{max}	300	
Safe side load			%*E _{max}	100	
Maximum platform size; loading acc. to OIML R76			mm	600 x 600	
Maximum off centre distance at maximum capacity			mm	200	
Compensated temperature range			°C	-10...+40	
Operating temperature range			°C	-20...+65 (ATEX -20...+60)	
Load cell material				aluminium	
Sealing				potted	
Protection according to DIN 40.050				IP67	

The limits for Non-Linearity, Hysteresis, and TC_{RO} are typical values.
The sum of Non-linearity, Hysteresis and TC_{RO} meets the requirements according to OIML R60 with p_{LC}=0.7.

Dimensions (in mm)



Mounting bolts M8 8.8; torque 25 Nm. Torque value assumes oiled threads.
* Unified thread 5/16-18 UNC is available.

Wiring

- The load cell is provided with a shielded, 6 conductor cable (AWG 26).
Cable jacket polyurethane
- Cable length: 3 m
- Cable diameter: 5.8 mm
- The shield is connected to the load cell body

