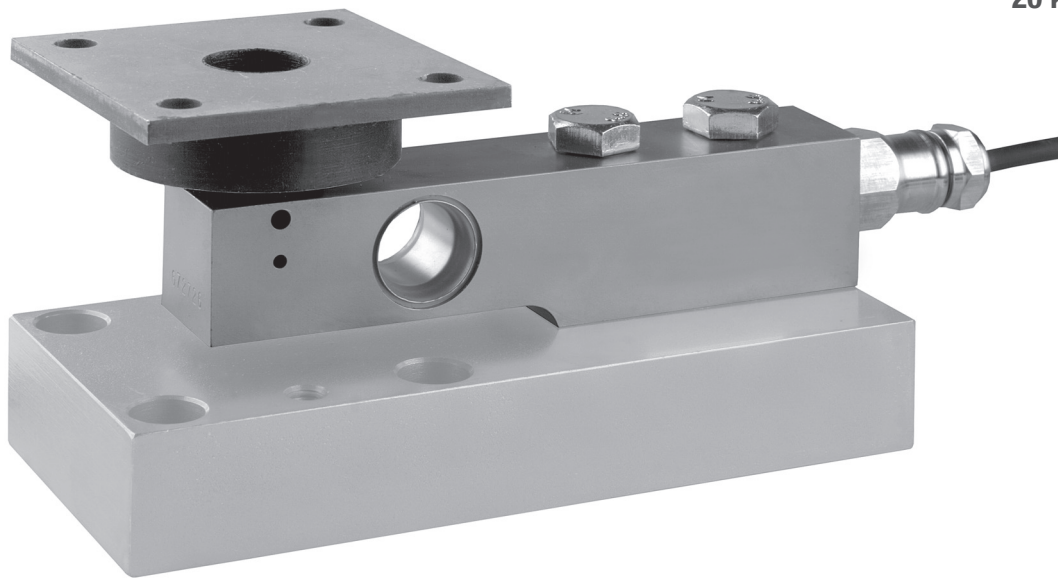


20 kg ... 5 t



Rubber element with flange 52-05 and SB4 load cell combined with base plate 52-00

Product Description

Flintec load cell supports are designed to prevent unwanted forces from affecting load cell performance.

The type 52-05 is a self aligning rubber element with flange, combining excellent load introduction with low profile design.

Especially designed for the SB4, SB5, SB6, SB14 and SLB load cells.

Material: steel, zinc plated; alternatively stainless steel.

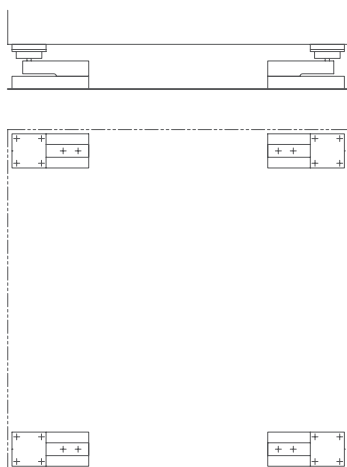
Key Features

- Blind hole load introduction
- Capacity range: 20 kg to 5 000 kg
- High lateral compliance
- Very easy to install
- Especially designed for hopper, mixer and platform scales
- W&M certified

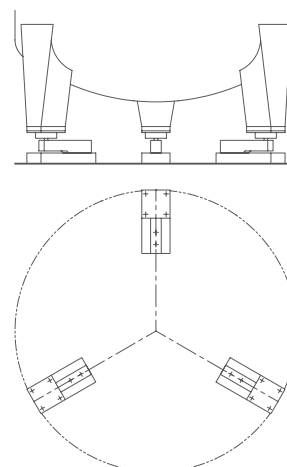
Available Accessory

- Welding plate

Examples

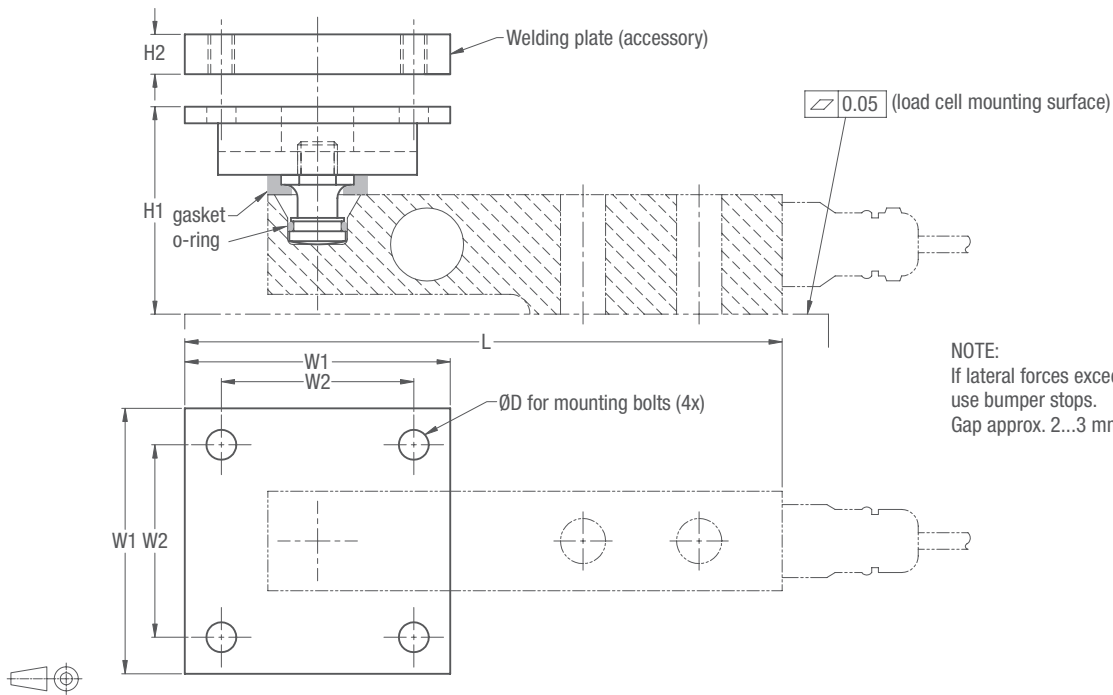


Platform or hopper scale with 4 load cells



Tank weighing system with 3 load cells

52-05 Dimensions (in mm)



NOTE:
If lateral forces exceed the RF value,
use bumper stops.
Gap approx. 2...3 mm.

Load Cell Type	Capacity in kg	L	H1	H2	W1	W2	Mounting bolts D	S _{max} **	RF***
SB4/SB5-5 kN/10 kN/20 kN	510/1 020/2 039	180	63	12	80	58	M8	5 mm	1600 N
SB4/SB5-50 kN	5 099	219	78	12	100	76	M10	5 mm	5000 N
SB6-200 N/500 N/1 kN/2 kN	20.4/51/102/204	150	65*	6	60	44	M6	6 mm	700 N
SB14-500 lb	227	154	54	6	60	44	M6	6 mm	700 N
SB14-1 klb/2.5 klb/5 klb	454/1 134/2 268	164	60*	12	80	58	M8	5 mm	1600 N
SLB-200 lb/500 lb	91/227	154	55*	6	60	44	M6	6 mm	700 N
SLB-1 klb/2.5 klb/5 klb	454/1 134/2 268	164	59*	12	80	58	M8	5 mm	1600 N

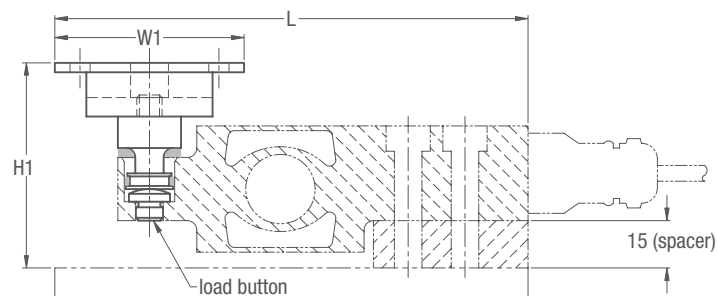
* Including spacer.

** S_{max} = maximum lateral displacement of load introduction.

*** RF = restoring force at S_{max}.

CAD files for customer's own applications drawings are available on request.

Details Type SB6 Load Cell



Details Type SLB Load Cell

