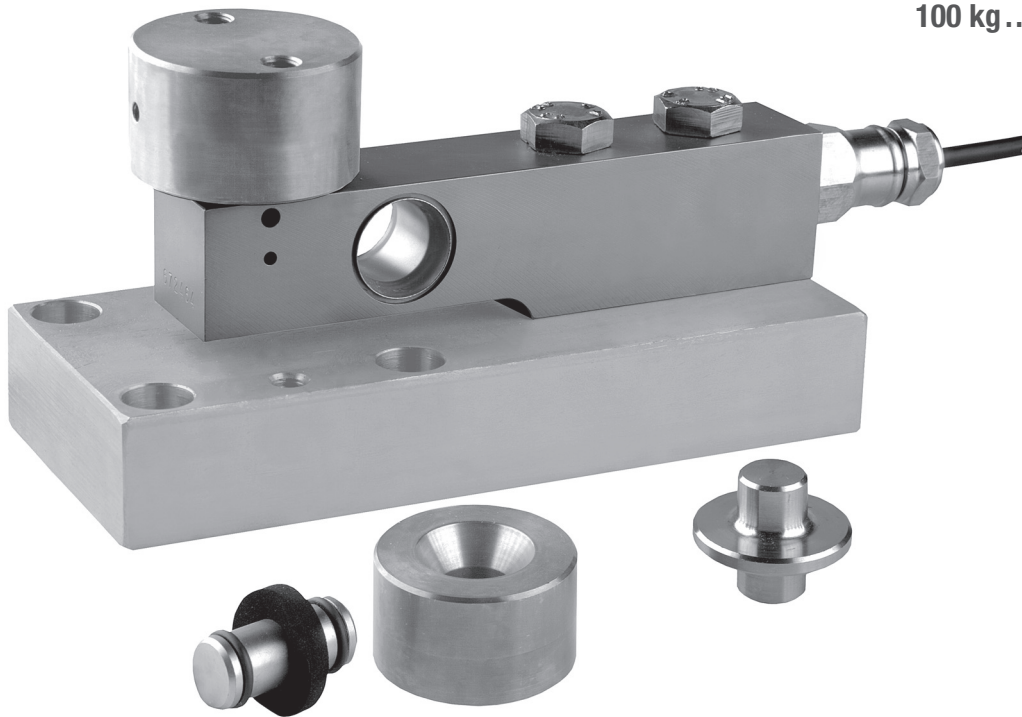


100 kg ... 10 t



Rocker pin 52-08 and SB4 load cell combined with base plate 52-00

Product Description

Flintec load cell supports are designed to prevent unwanted forces from affecting load cell performance.

The type 52-08 is a self aligning rocker pin assembly; combining excellent load introduction with low profile design.

Especially designed for the SB4, SB5, SB14 and SLB load cells.

An Installation Guide Pin is available for easy alignment.

Material: stainless steel.

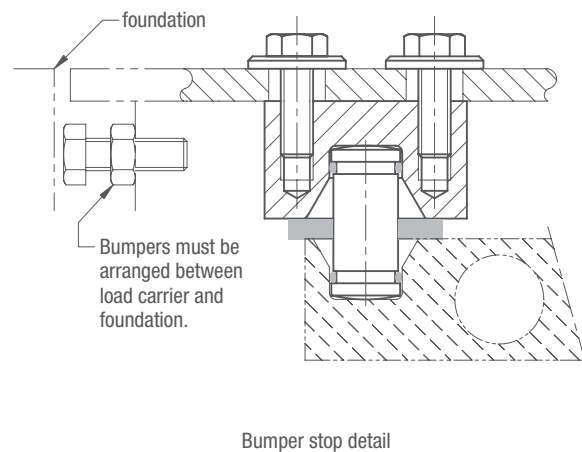
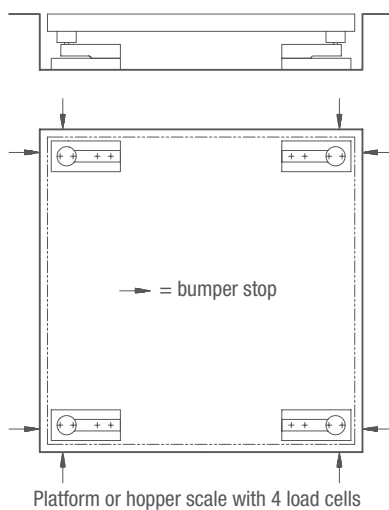
Key Features

- Blind hole load introduction
- Capacity range: 100 kg to 10 000 kg
- Excellent reproducibility of load application
- Low profile
- Very easy to install
- W&M certified

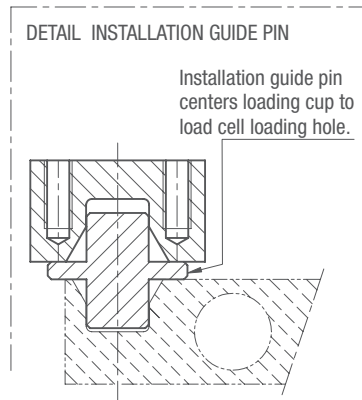
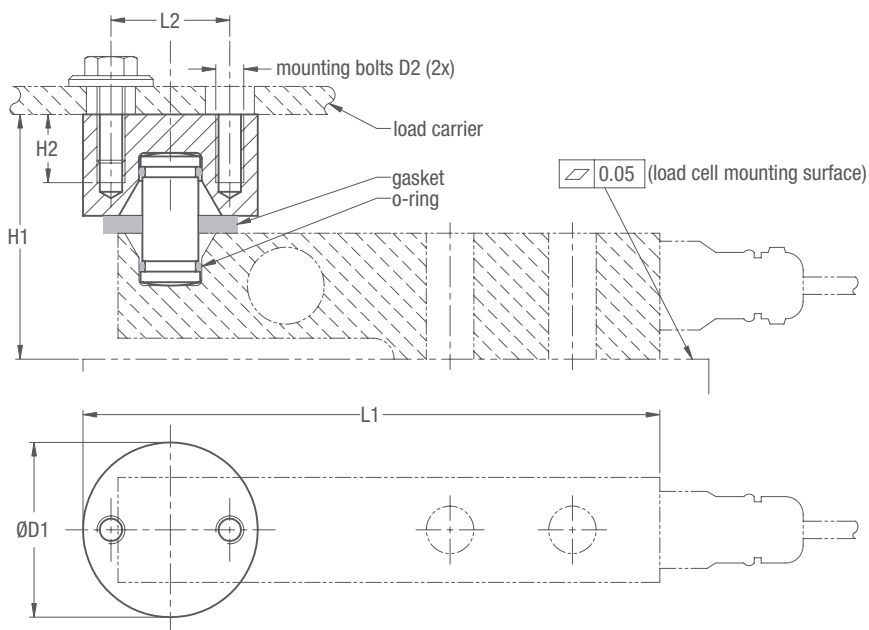
Available Accessory

- Installation guide pin

Examples



52-08 Dimensions (in mm)



Note:
 Bumper stops are required.
 Gap approx. 2...3 mm.
 A special part is available with integrated bumper stops.

Load Cell Type	Capacity in kg	L1	L2	H1	H2	D1	Mounting bolts D2
SB4/SB5-5 kN/10 kN/20 kN	510/1020/2039	165	34	70	16	50	M8
SB4/SB5-50 kN	5099	199	44	90	20	60	M10
SB4/SB5-100 kN	10197	250	50	115	20	68	M10
SB14-500 lb/1 klb	227/454	149	34	65	16	50	M8
SB14-2.5 klb/5 klb	1134/2268	149	34	67*	16	50	M8
SB14-10 klb	4536	189	44	85	20	60	M10
SLB-200 lb/500 lb/1 klb/2.5 klb/5 klb	91/227/454/1134/2268	149	34	66*	16	50	M8

* Including spacer

Restoring force: approx. 3% of actual load / mm lateral displacement of load introduction.

CAD files for customer's own application drawings are available on request.

Details Type SLB Load Cell

