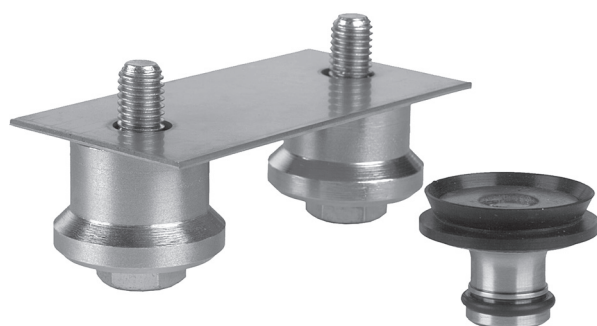
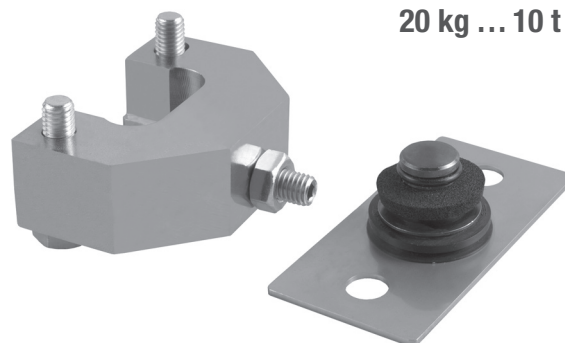


## Type 52-13 Sliding System

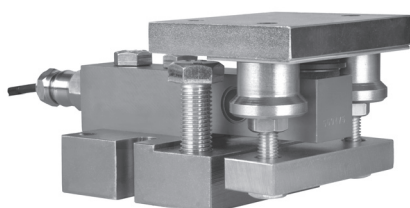


2-Directional Bumper 52-13

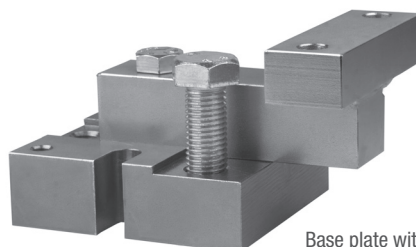


20 kg ... 10 t

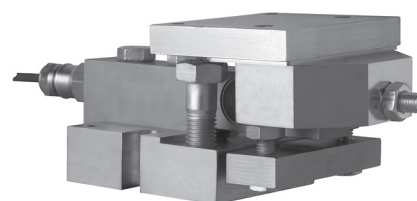
3-Directional Bumper 52-13



2-Directional 52-13 with base plate,  
lift off protection and upper welding plate



Base plate with welding fixture



3-Directional 52-13 with base plate,  
lift off protection and upper welding plate

### Product Description

Flintec load cell supports are designed to prevent unwanted forces from affecting load cell performance.

The type 52-13 is a sliding system designed for hopper, tank and mixer weighing; combining excellent load introduction with low profile design and low cost for the basic system.

The system is available in 2 versions:

2-directional bumper for standard applications,

3-directional bumper for special applications.

Both variants can be used with free sliding units.

In addition a variant "T" is available, which allows a tangential orientation.

The options and accessories like base plate, lift off protection, upper welding plate, and welding fixture make installation easy and contribute to a totally very versatile and rugged design.

Especially designed for SB4, SB5, SB6, SB14 and SLB load cells.

Material: steel, zinc plated; alternatively stainless steel.

### Key Features

- 2 Versions available: 2-directional and 3-directional bumper
- Blind hole load introduction
- Capacity range 20 kg to 10 000 kg
- Low profile
- Very easy to install
- No check links needed
- Installation by bolting or welding
- W&M certified for 3 000 intervals

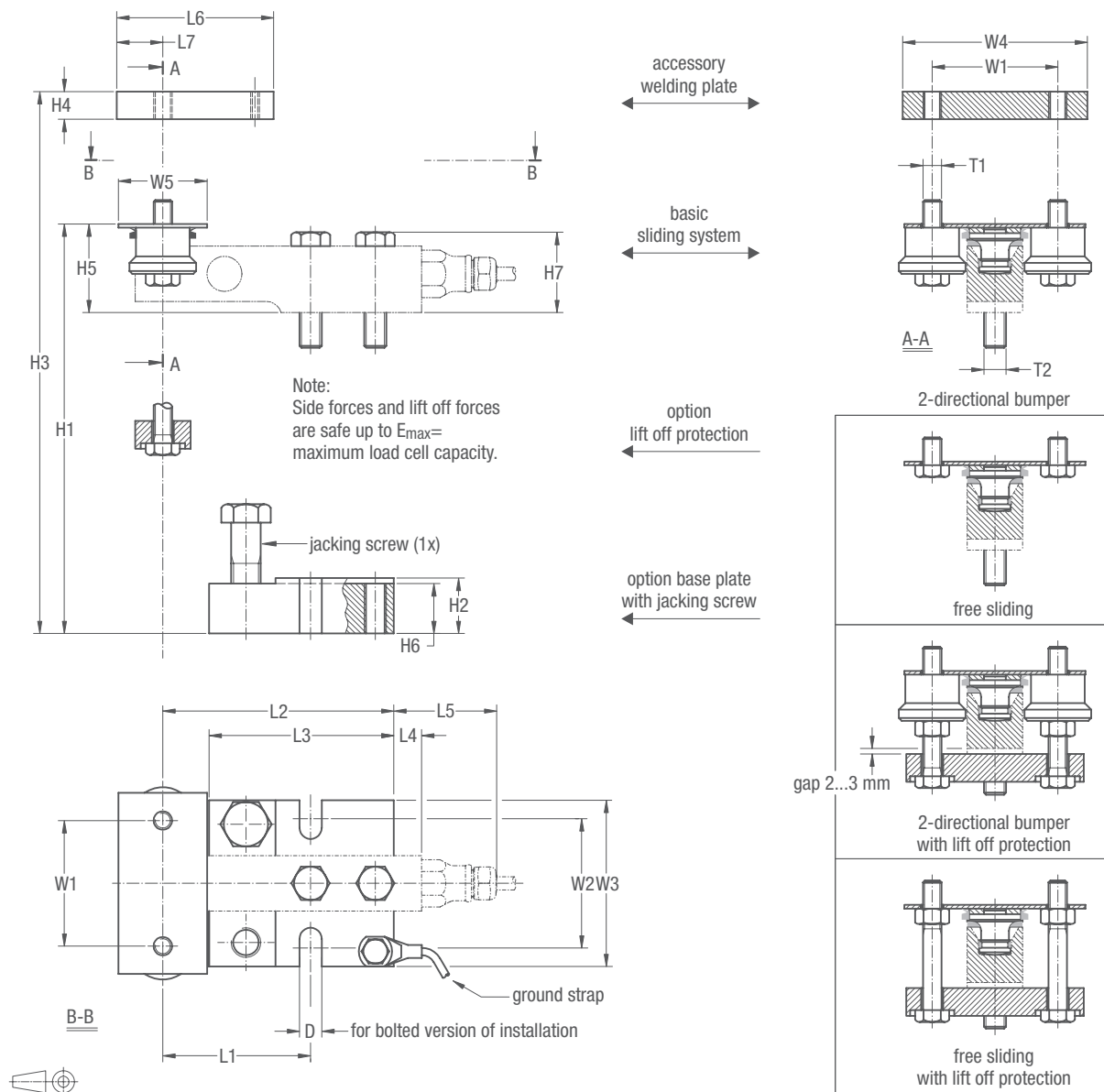
### Options

- Base plate, with jacking bolt
- Lift off protection

### Available Accessories

- Upper welding plate
- Welding fixture

### 52-13 Dimensions 2-directional bumper and free sliding units (in mm)



Load cell type	H1	H2	H3	H4	H5	H6	H7	L1	L2	L3	L4	L5	L6	L7	W1	W2	W3	W4	W5	D	T1	T2
SB4/SB5-5/10/20 kN	75	30	90	15	48	27	44	80	125	100	15	56	85	25	68	70	90	100	48	13	M10	M12
SB4/SB5-50 kN	110	50	130	20	65	45	62	105	160	130	9	50	110	30	94	100	120	140	58	16	M16	M20
SB4/SB5-100 kN	135	50	160	25	90	45	88	135	205	160	10	51	135	35	120	130	150	180	68	20	M20	M24
SB6-0.2/0.5/1/2 kN	78	40	90	12	42	36	30	55	115	95	5	46	70	20	54	60	80	80	38	8	M6	M8
SB14-0.5/1/2.5/5 kN	75	35	90	15	43	32	39	80	125	100	-	37	85	25	68	70	90	100	48	13	M10	M12
SLB-0.2/0.5/1/2.5/5 kN	74	35	89	15	42	32	38	80	125	100	-	17	85	25	68	70	90	100	48	13	M10	M12

Assembly drawings with installation instructions and CAD files for customer's own application drawings are available on request.

### Orientation of 2-directional bumper and free sliding units

