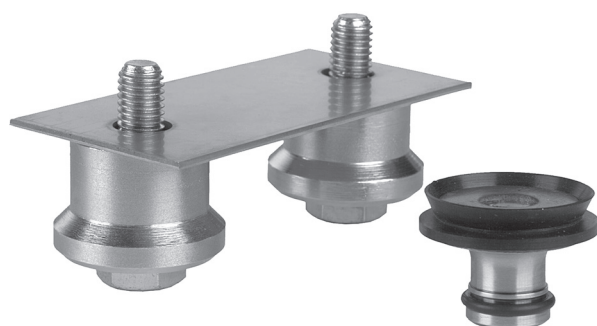
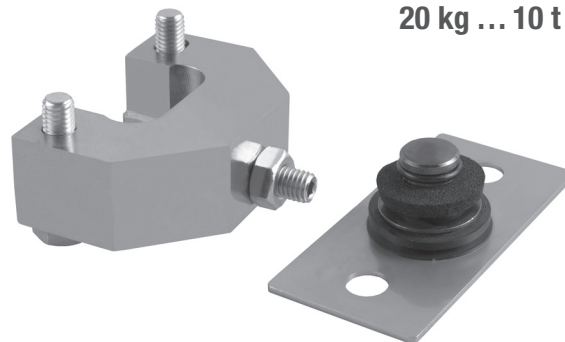


Type 52-13 Sliding System

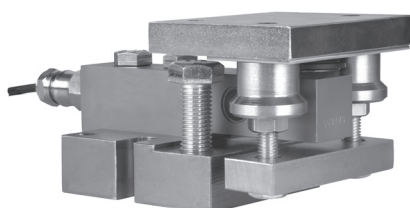


2-Directional Bumper 52-13

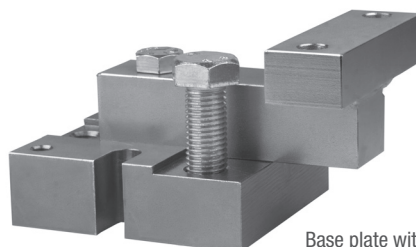


20 kg ... 10 t

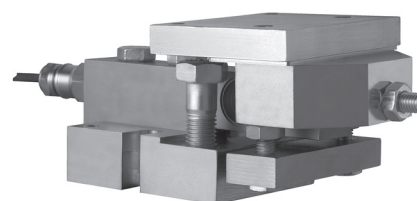
3-Directional Bumper 52-13



2-Directional 52-13 with base plate,
lift off protection and upper welding plate



Base plate with welding fixture



3-Directional 52-13 with base plate,
lift off protection and upper welding plate

Product Description

Flintec load cell supports are designed to prevent unwanted forces from affecting load cell performance.

The type 52-13 is a sliding system designed for hopper, tank and mixer weighing; combining excellent load introduction with low profile design and low cost for the basic system.

The system is available in 2 versions:

2-directional bumper for standard applications,

3-directional bumper for special applications.

Both variants can be used with free sliding units.

In addition a variant "T" is available, which allows a tangential orientation.

The options and accessories like base plate, lift off protection, upper welding plate, and welding fixture make installation easy and contribute to a totally very versatile and rugged design.

Especially designed for SB4, SB5, SB6, SB14 and SLB load cells.

Material: steel, zinc plated; alternatively stainless steel.

Key Features

- 2 Versions available: 2-directional and 3-directional bumper
- Blind hole load introduction
- Capacity range 20 kg to 10 000 kg
- Low profile
- Very easy to install
- No check links needed
- Installation by bolting or welding
- W&M certified for 3 000 intervals

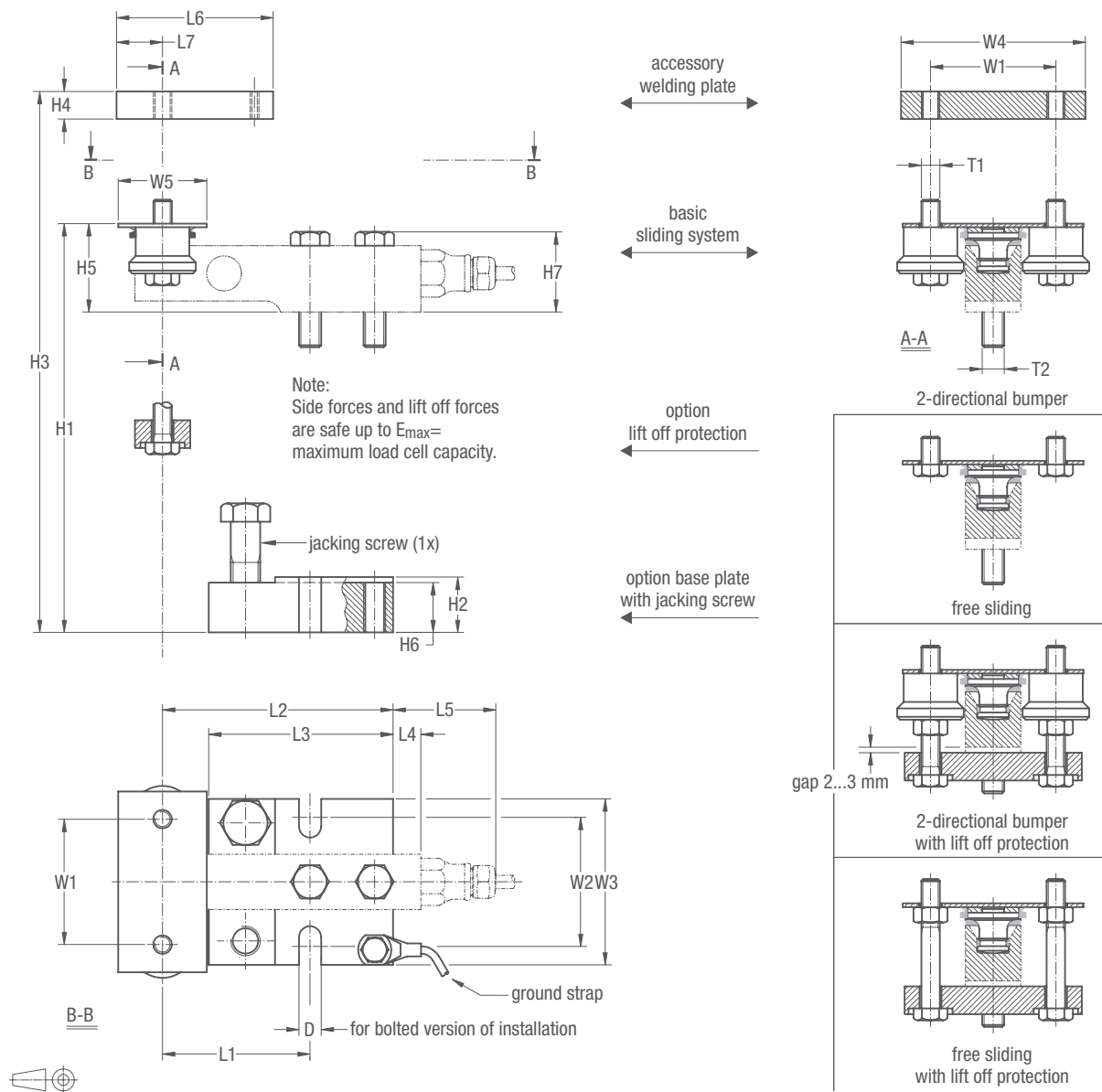
Options

- Base plate, with jacking bolt
- Lift off protection

Available Accessories

- Upper welding plate
- Welding fixture

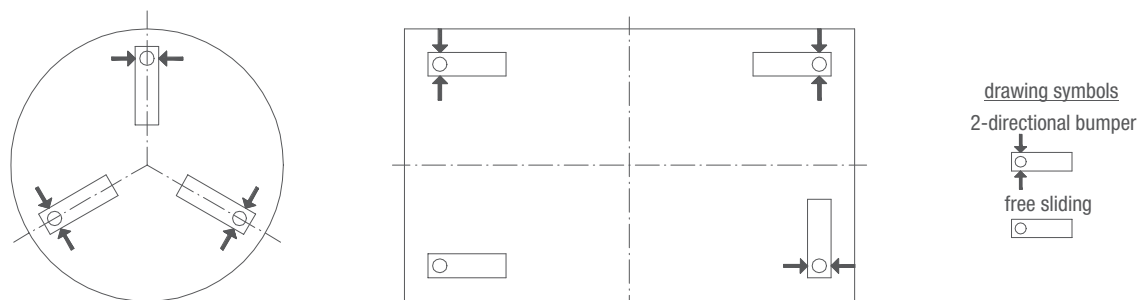
52-13 Dimensions 2-directional bumper and free sliding units (in mm)



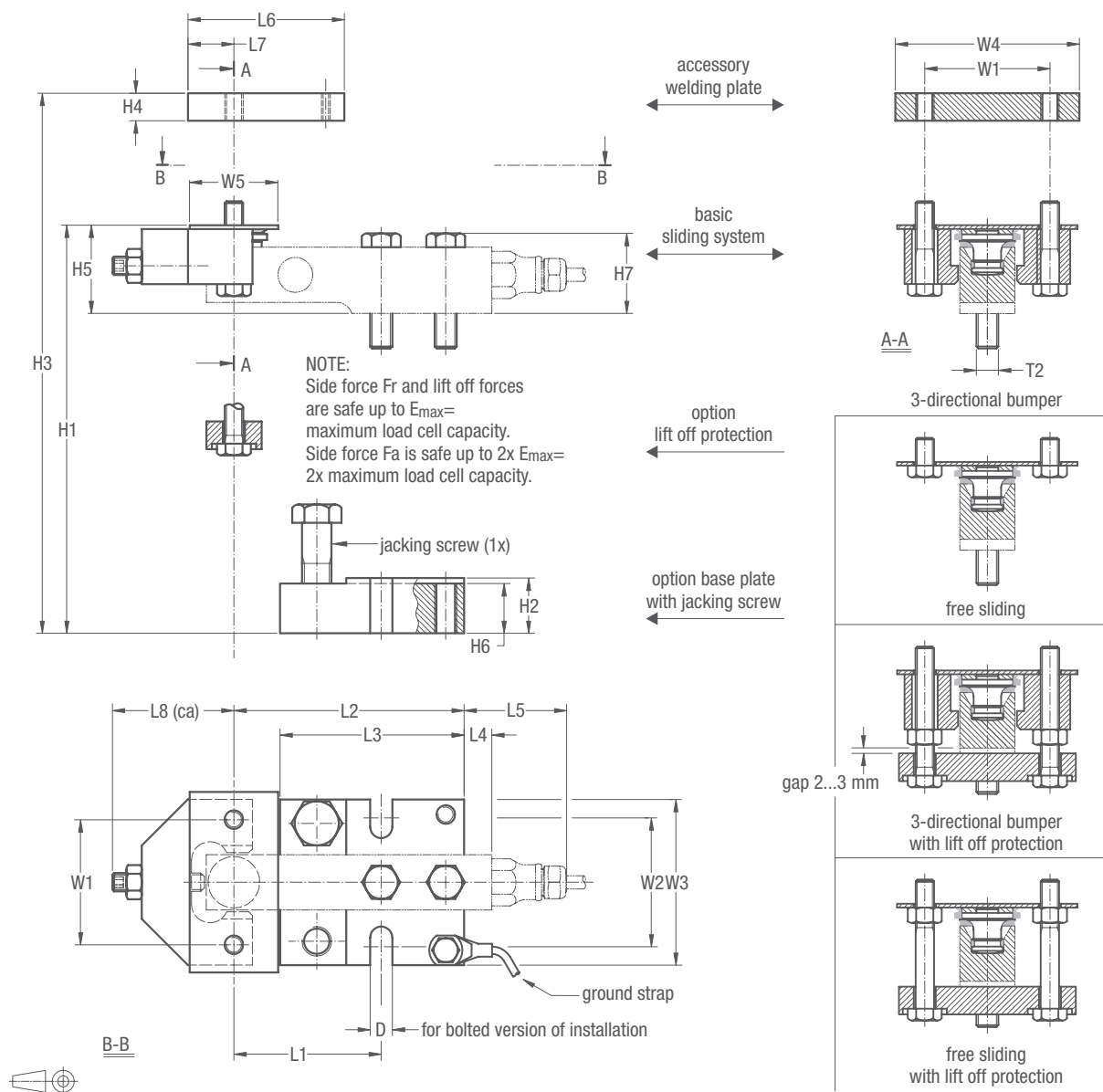
Load cell type	H1	H2	H3	H4	H5	H6	H7	L1	L2	L3	L4	L5	L6	L7	W1	W2	W3	W4	W5	D	T1	T2
SB4/SB5-5/10/20 kN	75	30	90	15	48	27	44	80	125	100	15	56	85	25	68	70	90	100	48	13	M10	M12
SB4/SB5-50 kN	110	50	130	20	65	45	62	105	160	130	9	50	110	30	94	100	120	140	58	16	M16	M20
SB4/SB5-100 kN	135	50	160	25	90	45	88	135	205	160	10	51	135	35	120	130	150	180	68	20	M20	M24
SB6-0.2/0.5/1/2 kN	78	40	90	12	42	36	30	55	115	95	5	46	70	20	54	60	80	80	38	8	M6	M8
SB14-0.5/1/2.5/5 kN	75	35	90	15	43	32	39	80	125	100	-	37	85	25	68	70	90	100	48	13	M10	M12
SLB-0.2/0.5/1/2.5/5 kN	74	35	89	15	42	32	38	80	125	100	-	17	85	25	68	70	90	100	48	13	M10	M12

Assembly drawings with installation instructions and CAD files for customer's own application drawings are available on request.

Orientation of 2-directional bumper and free sliding units

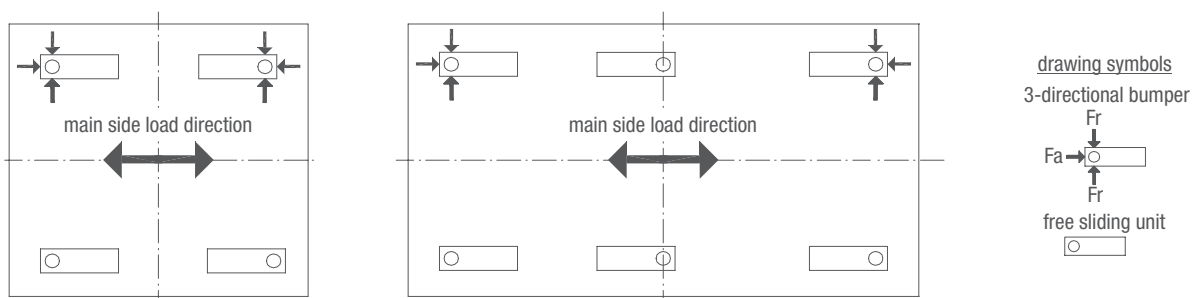


52-13 Dimensions 3-directional bumper and free sliding units (in mm)

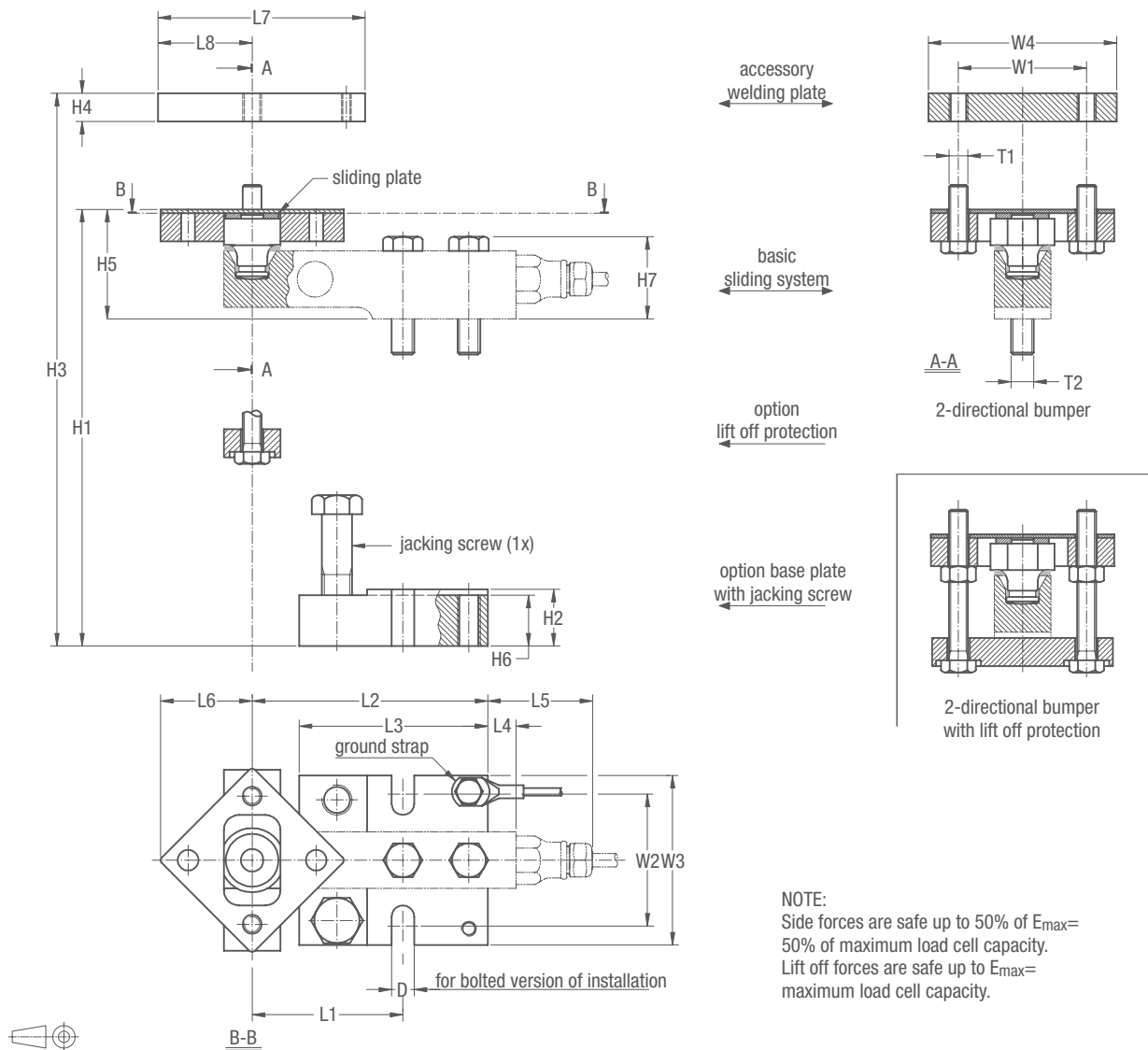


Load cell type	H1	H2	H3	H4	H5	H6	H7	L1	L2	L3	L4	L5	L6	L7	L8	W1	W2	W3	W4	W5	D	T1	T2
SB4/SB5-5/10/20 kN	75	30	90	15	48	27	44	80	125	100	15	56	85	25	67	68	70	90	100	48	13	M10	M12
SB4/SB5-50 kN	110	50	130	20	65	45	62	105	160	130	9	50	110	30	103	94	100	120	140	58	16	M16	M20
SB4/SB5-100 kN	135	50	160	25	90	45	88	135	205	160	10	51	135	35	132	120	130	150	180	68	20	M20	M24
SB6-0.2/0.5/1/2 kN	78	40	90	12	42	36	30	55	115	95	5	46	70	20	?	54	60	80	80	38	8	M6	M8
SB14-0.5/1/2.5/5 kN	75	35	90	15	43	32	39	80	125	100	-	37	85	25	65	68	70	90	100	48	13	M10	M12
SLB-0.2/0.5/1/2.5/5 kN	74	35	89	15	42	32	38	80	125	100	-	17	85	25	65	68	70	90	100	48	13	M10	M12

Orientation of 3-directional bumper and free sliding units



Type 52-13T Sliding Systems (allows tangential mounting) Dimensions (in mm)



Load cee type	H1	H2	H3	H4	H5	H6	H7	L1	L2	L3	L4	L5	L6	L7	L8	W1	W2	W3	W4	D	T1	T2
SB4/SB5-5/10/20 kN	85	30	100	15	58	27	44	80	125	100	15	56	49	110	50	68	70	90	100	13	M10	M12
SB4/SB5-50 kN	125	50	150	25	80	45	62	105	160	130	9	50	75	150	75	94	100	120	150	16	M16	M20
SB4/SB5-100 kN	155	50	180	25	110	45	88	135	205	160	10	51	90	180	90	120	130	150	180	20	M20	M24
SB14-0.5/1/2.5/5 klb	85	35	100	15	53	32	39	80	125	100	-	37	49	110	50	68	70	90	100	13	M10	M12
SLB-0.2/0.5/1/2.5/5 klb	84	35	99	15	52	32	38	80	125	100	-	17	49	110	50	68	70	90	100	13	M10	M12

Remark: Not compatible with 52-13.

Tanks with tangentially mounted load cells

