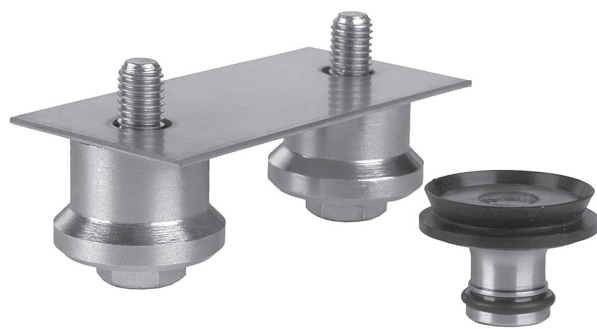
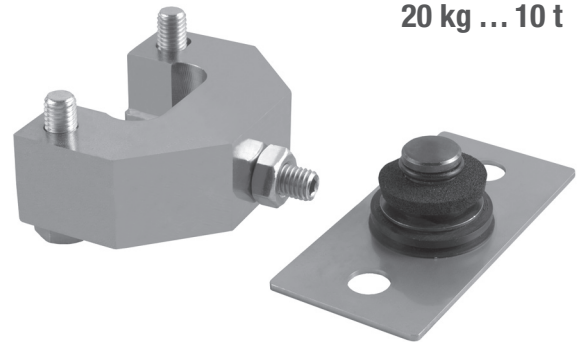


Type 52-13 Sliding System

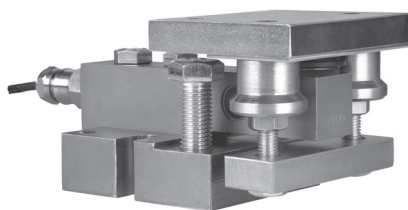


2-Directional Bumper 52-13

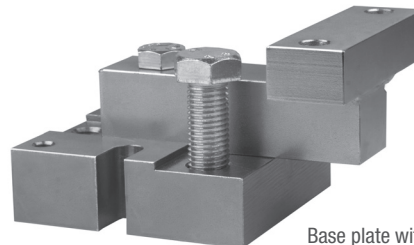


20 kg ... 10 t

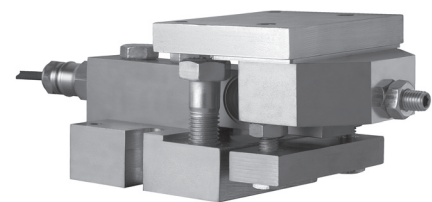
3-Directional Bumper 52-13



2-Directional 52-13 with base plate,
lift off protection and upper welding plate



Base plate with welding fixture



3-Directional 52-13 with base plate,
lift off protection and upper welding plate

Product Description

Flintec load cell supports are designed to prevent unwanted forces from affecting load cell performance.

The type 52-13 is a sliding system designed for hopper, tank and mixer weighing; combining excellent load introduction with low profile design and low cost for the basic system.

The system is available in 2 versions:

2-directional bumper for standard applications,

3-directional bumper for special applications.

Both variants can be used with free sliding units.

In addition a variant "T" is available, which allows a tangential orientation.

The options and accessories like base plate, lift off protection, upper welding plate, and welding fixture make installation easy and contribute to a totally very versatile and rugged design.

Especially designed for SB4, SB5, SB6, SB14 and SLB load cells.

Material: steel, zinc plated; alternatively stainless steel.

Key Features

- 2 Versions available: 2-directional and 3-directional bumper
- Blind hole load introduction
- Capacity range 20 kg to 10 000 kg
- Low profile
- Very easy to install
- No check links needed
- Installation by bolting or welding
- W&M certified for 3 000 intervals

Options

- Base plate, with jacking bolt
- Lift off protection

Available Accessories

- Upper welding plate
- Welding fixture

