

Type 53-04 Tension Assembly

Flintec load cell supports are designed to prevent unwanted forces from affecting load cell performance.

The Type 53-04 is a self aligning tension assembly.

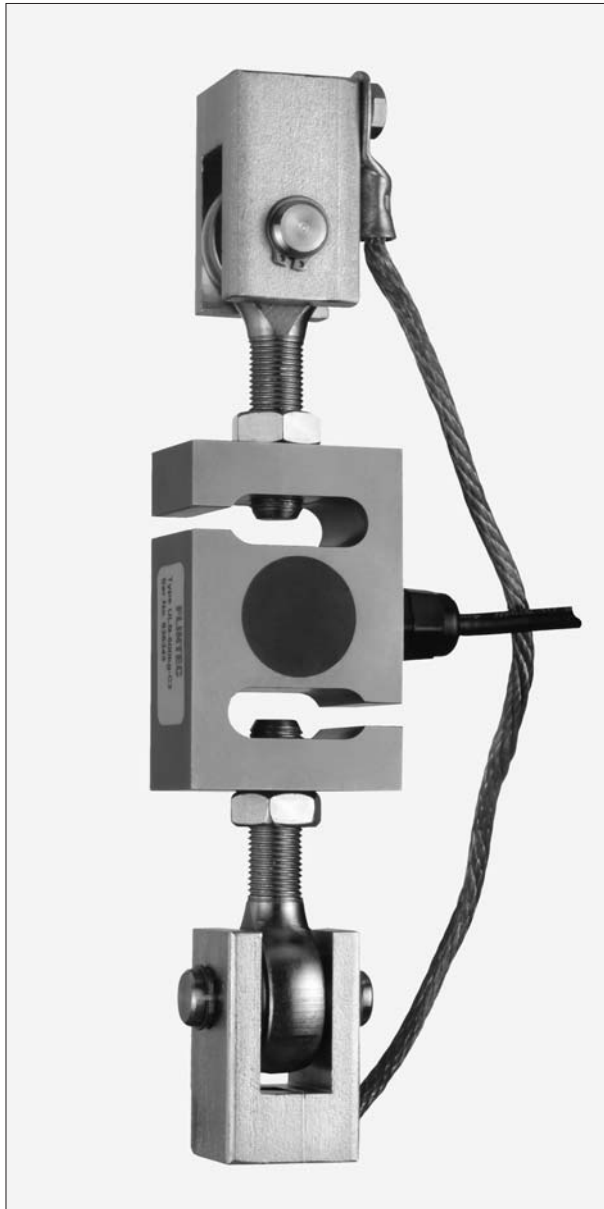
Especially designed for the UB1, UB6 and UB5 load cells.

Standard version: steel, zinc plated.

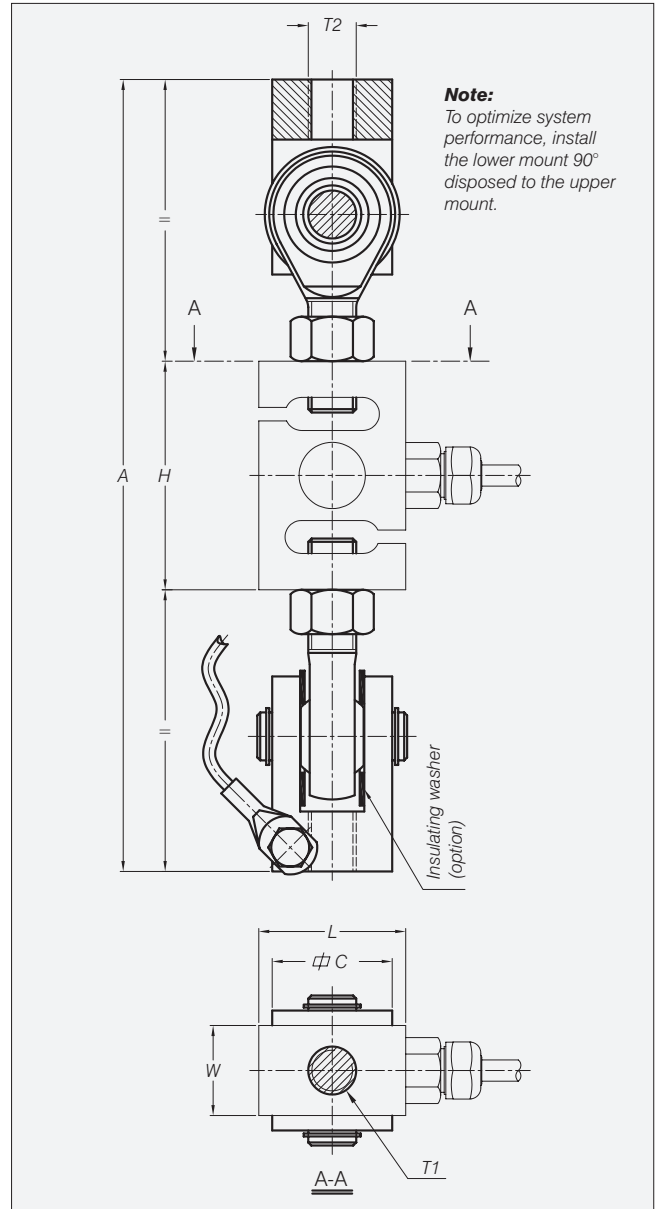
Important Features

- Capacity range: 100 kg to 5 000 kg.
- Very easy to install.
- Especially designed for hopper scales, tank weighing systems and hybrid scale conversions.

Dimensions



Tension assembly 53-04 and ULB load cell

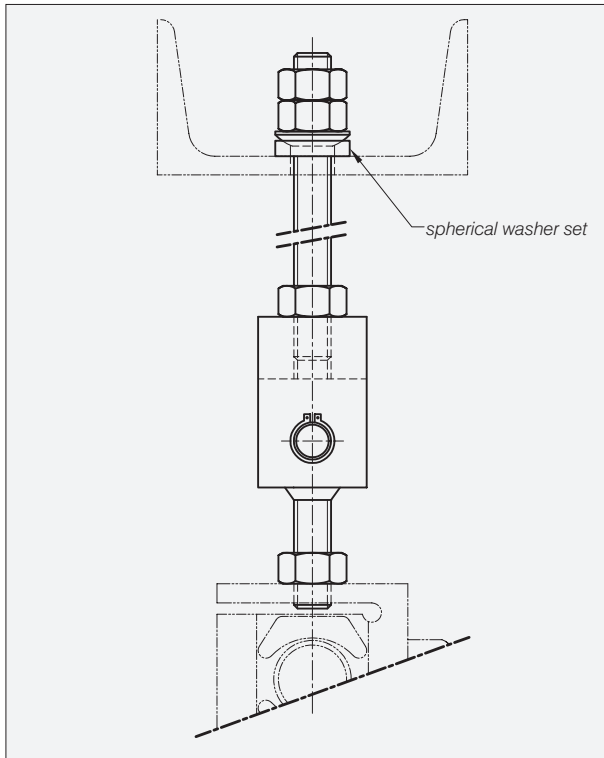


Tension Load Cells

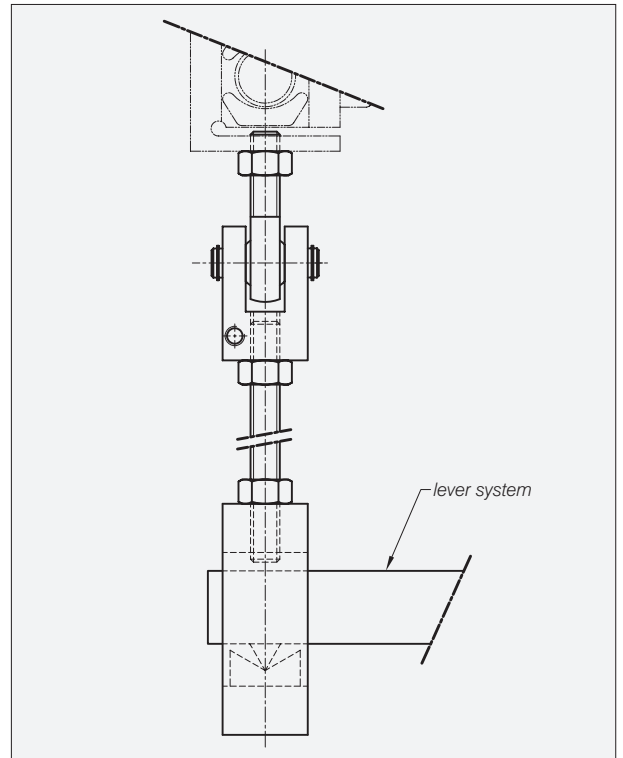
Load Cell Type	Capacity in kg	H	L	W	A	C	T1	T2	max. safe static load in kN
UB6-1/2/5 kN	102/204/510	61.5	61.5	30	220	30	M12	M12	2/4/10
ULB-100/200/500 kg		76.2	49	30	220	30	M12	M12	2/4/10
UB1-10/20 kN	1020/2039	92	86	30	275	40	M16	M16	20/30
ULB-1000 kg		76.2	49	30	264	40	M16	M16	20
ULB-2000 kg		86.1	76.2	30	270	40	M16	M16	30
ULB-3000 kg		88.7	88.7	40	310	50	M20x1.5	M20	45
UB1-50 kN	5099	136	143	43	400	60	M24x2	M24	75
ULB-5000 kg		146	91.2	56.4	420	60	M24x2	M24	75

All dimensions in mm. Dimensions and specifications are subject to change without notice.

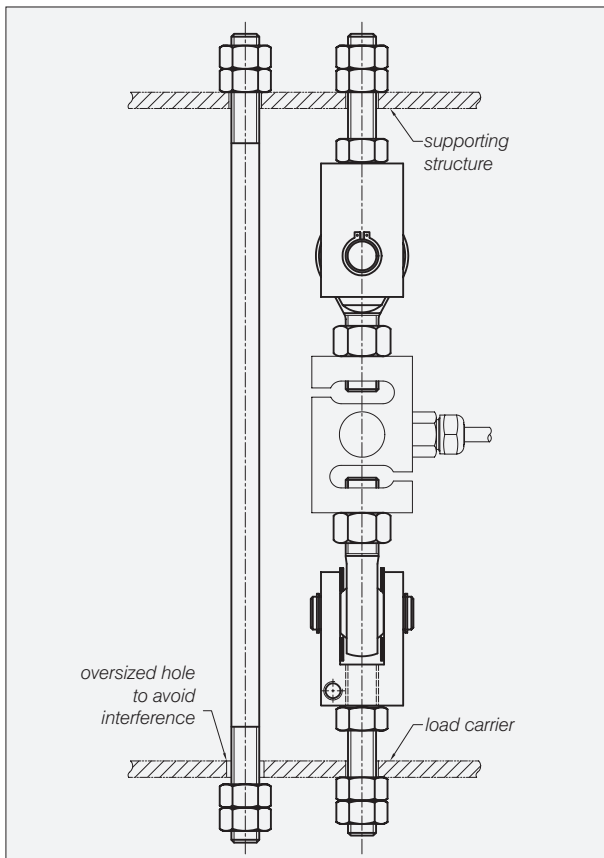
Examples



Improved connection to support structure



Hybrid scale conversion



Vertical safety check rod