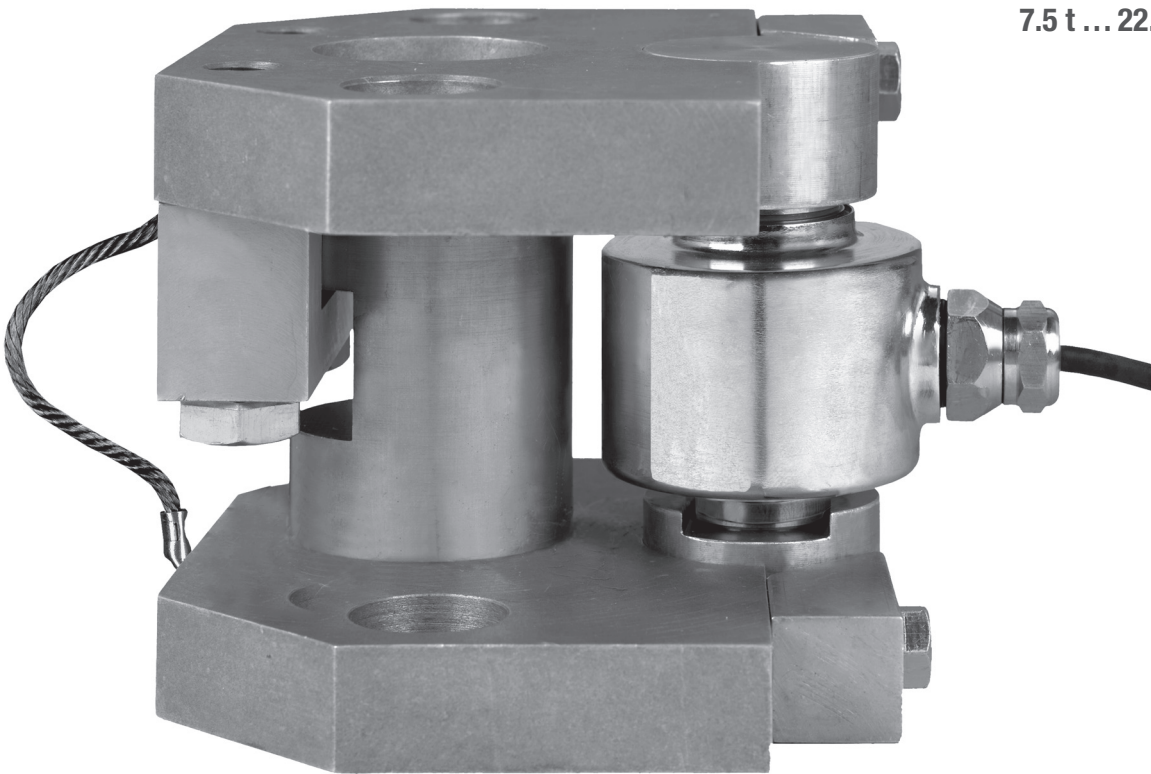
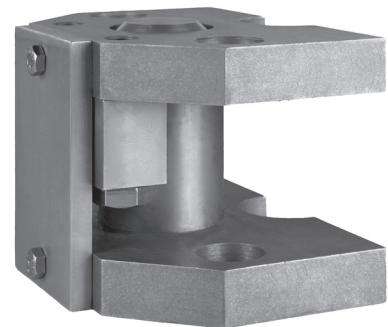


7.5 t ... 22.5 t



Weigh Module 55-01-10 with RC3 Load Cell



Pre-assembled module

Product Description

Flintec load cell supports are designed to prevent unwanted forces from affecting load cell performance.

The type 55-01-10 is a self aligning weigh module, with excellent load introduction.

The module is especially designed for using Flintec rocker column load cells in hopper and tank weighing applications. The module incorporates an integrated bumper stop eliminating the need for check links thereby offering highest possible precision.

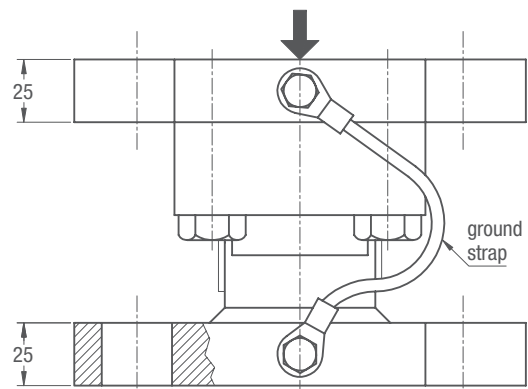
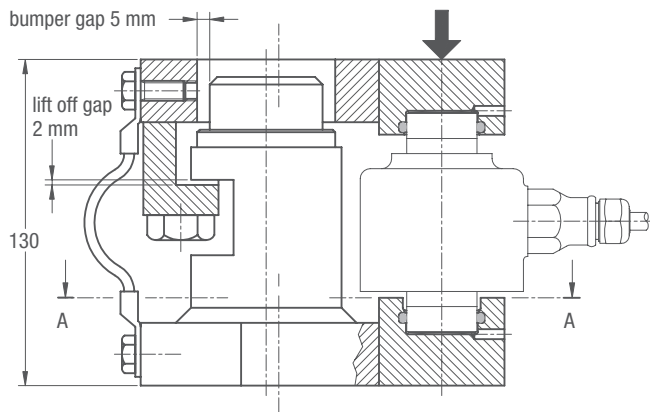
The Weigh Module will be shipped pre-assembled; ready for installation by bolting or welding.

Material: stainless steel.

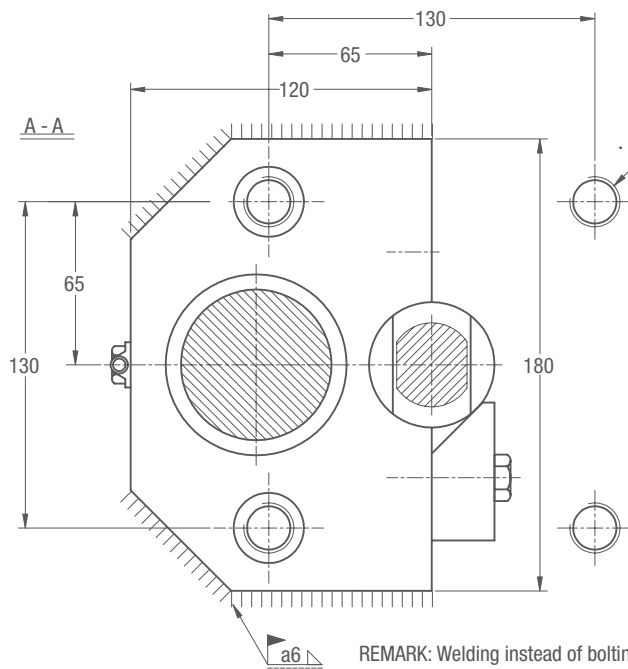
Key Features

- Capacities 7.5 t, 15 t and 22.5 t
- Very easy to install
- Very rugged
- Especially designed for hopper and tank weighing
- Integrated bumper stop for highest accuracy
- Integrated lift off protection
- Load cell replacement requires minimum lifting height
- W&M certified

55-01-10 Dimensions (in mm)



M20 mounting screws (4x) to be used in combination with washer 21x37x3. Screws to be torqued 400 Nm.



NOTES:

- Tank foot and foundation plate to be horizontal:
 - within 0.4/100 for legal for trade applications,
 - within 0.8/100 for general applications.
- Maximum force on bumper: 75 kN.
- Maximum force on lift off protection: 75 kN.
- Module weight excluding load cell: 11 kg.

REMARK: Welding instead of bolting is a very practical alternative eliminating problems of getting holes on top and bottom lined up. (Weld as shown)

Assembly drawings with installation instructions and CAD files for customer's own applications drawings are available on request.

Module assembled for shipment and installation

