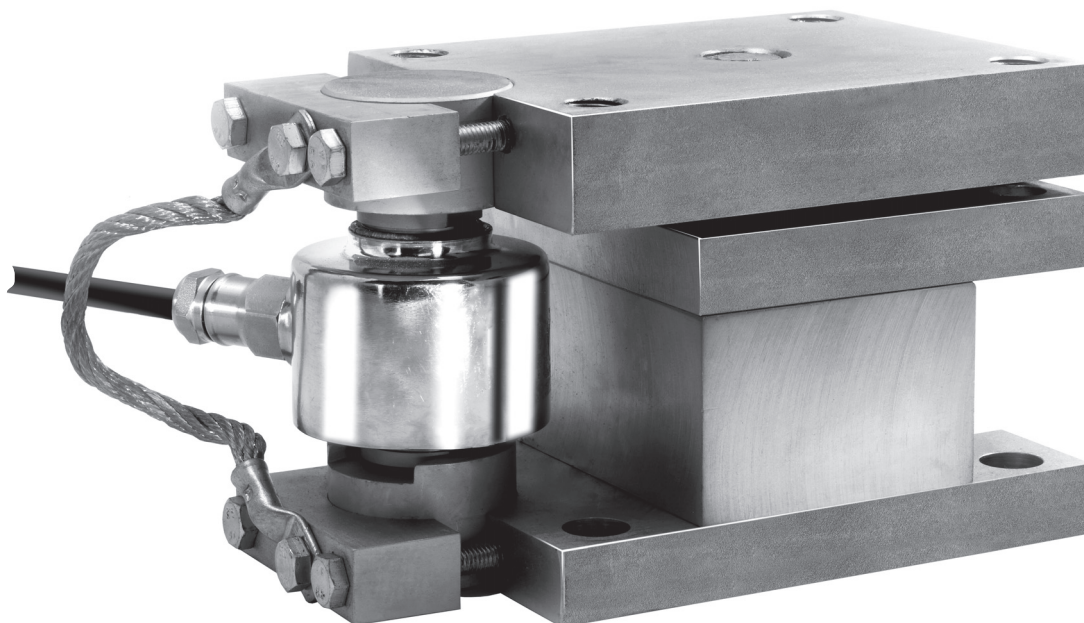
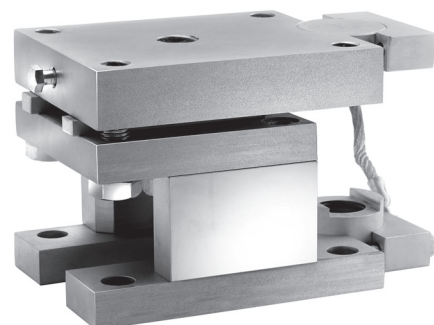


Type 55-20 Weigh Module

7.5 t ... 300 t



Weigh Module 55-20 with RC3 Load Cell



Pre-assembled module ready for installation

Product Description

Flintec load cell supports are designed to prevent unwanted forces from affecting load cell performance.

The type 55-20 is a self aligning weigh module, with excellent load introduction.

The module is especially designed for using Flintec rocker column load cells in hopper and tank weighing applications. The module incorporates an integrated bumper stop eliminating the need of using check links thereby offering highest possible precision.

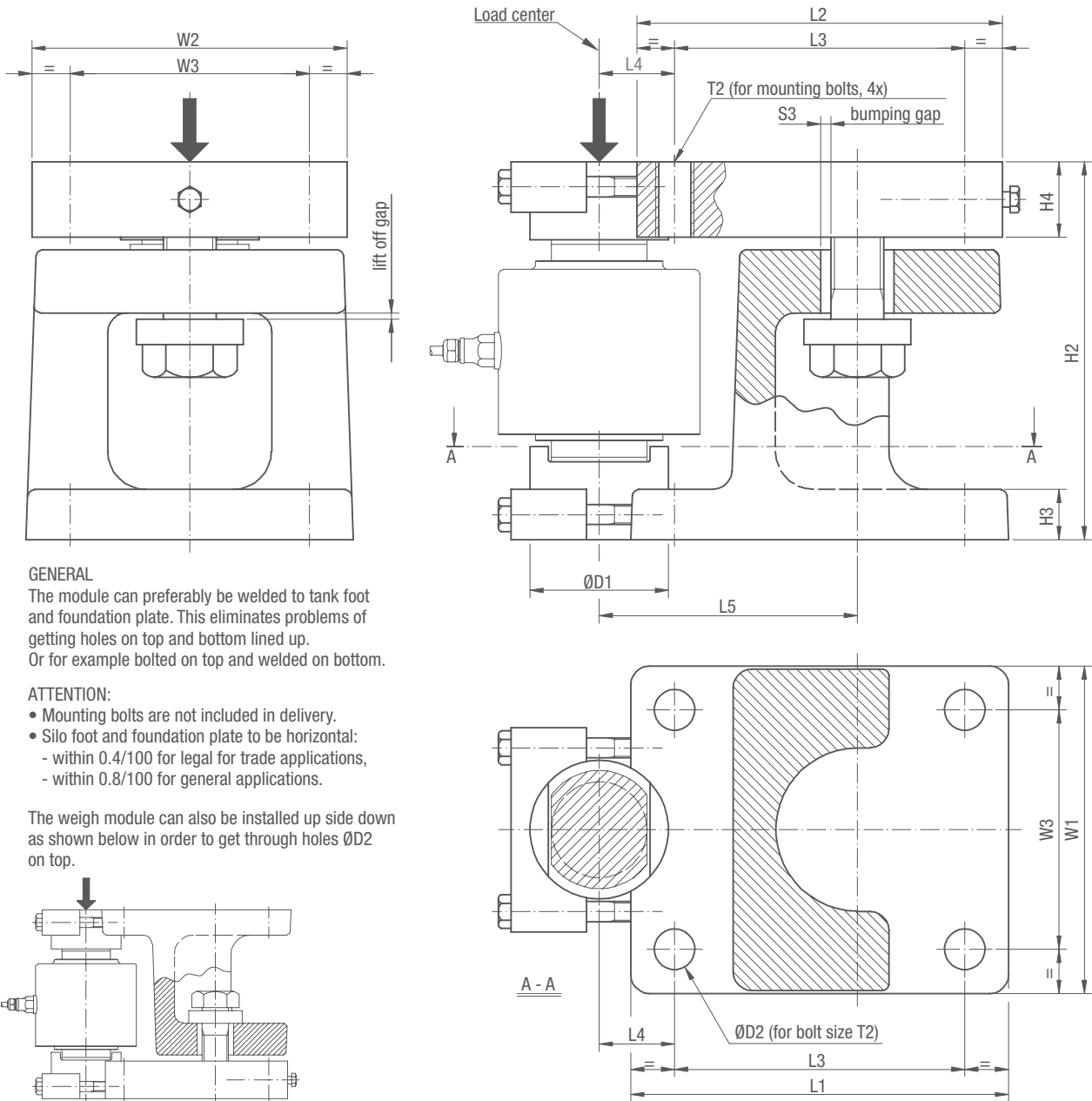
The Weigh Module will be shipped completely pre- assembled; ready for installation by welding or bolting.

Material: 7,5 t – 100 t mild steel, zinc plated,
150 t – 300 t cast mild steel, painted.

Key Features

- Capacities 7.5 t . . . 300 t
- Very easy to install
- Especially designed for hopper and tank weighing
- With integrated bumper stop for highest precision
- With integrated lift off protection
- Load cell replacement requires minimum lifting height
- W&M certified
- Rocking action of load cells allows for temperature expansion

55-20 Dimensions (in mm)



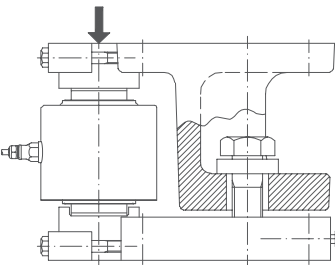
GENERAL

The module can preferably be welded to tank foot and foundation plate. This eliminates problems of getting holes on top and bottom lined up. Or for example bolted on top and welded on bottom.

ATTENTION:

- Mounting bolts are not included in delivery.
- Silo foot and foundation plate to be horizontal:
 - within 0.4/100 for legal for trade applications,
 - within 0.8/100 for general applications.

The weigh module can also be installed up side down as shown below in order to get through holes ØD2 on top.



Load cell type	D1	D2	H2	H3	H4	L1	L2	L3	L4	L5	W1	W2	W3	S3	T2	Max lift off force (kN) *	Max side force (kN) *	Weigh excl load cell (kg)
RC3-7.5/15/22.5 t	50	17.5	130	20	30	166	160	130	25	100	136	130	100	5	M16	100	50	15
RC3-30/40 t	60	22	200	28	40	220	210	170	30	125	160	150	110	6	M20	180	90	33
RC3-50/100 t	85	26	250	34	50	260	250	200	45	165	210	200	150	7	M24	300	150	65
RC3-150 t	110	33	300	40	60	300	290	230	60	205	260	250	190	8	M30	400	200	113
RC3-300 t	135	39	400	60	70	370	350	280	65	235	320	300	230	10	M36	600	300	225

* Note

- In tank / silo applications with 3 respectively 4 weigh modules can be assumed that minimum 2 modules will equally share actual side force (wind) on the tank / silo.
- Actual lift off force shall, for worst case, be assumed being taken by one module.

Assembly drawings with installation instructions and CAD files for customer's own application drawings are available on request.