



0.5 t ... 10 t

## Product Description

The type 56-01 dummy supports have same height and can be combined with corresponding capacity of weigh module type 52-13.

The dummy supports are typically used in scale systems for level control in tanks. They replace two of the weigh modules in tanks on 3 or 4 legs and give a very cost effective scale solution.

The supports are dimensioned to take side forces in any horizontal direction as well as lift off forces, up to 100% of maximum capacity. The weigh module can therefore be of simplest free sliding type and fitted with lift off protection only if required.

If foundation plates and tank feet are prepared also with mounting holes for the weigh module, the scale can later easily be upgraded to a high accuracy load cell system by replacing the dummy supports with weigh modules.

Material: Mild steel, zinc plated.

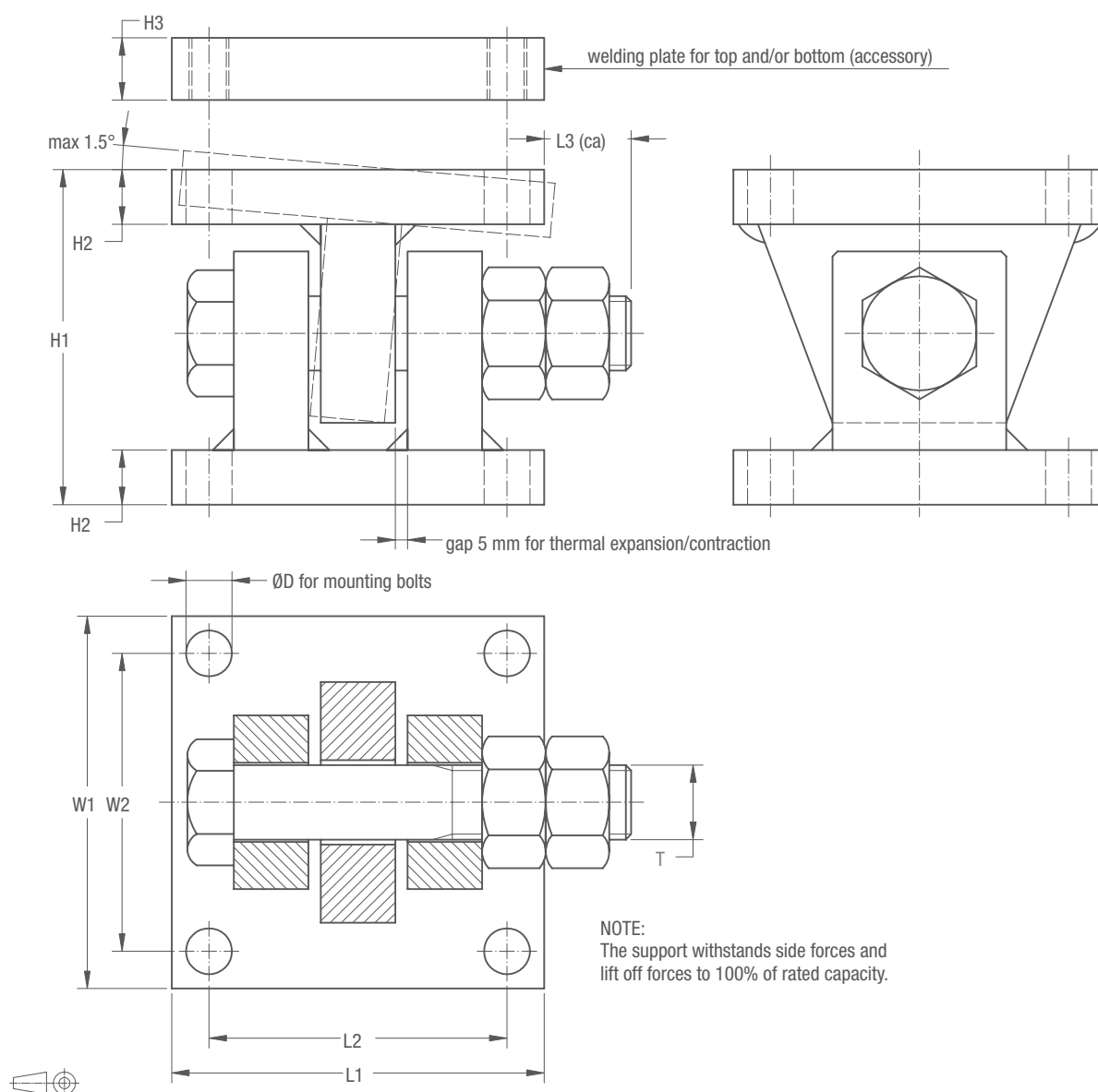
## Key Features

- Capacities 5 kN to 100 kN
- Easy installation by bolting or welding
- Tolerates large angular errors for tank foot and foundation plate
- Allows thermal expansion/contraction
- Very rugged design

## Available Accessory

- Welding plates top and /or bottom

### 56-01 Dimensions (in mm)



Capacity	Capacity in kg	H1	H2	H3	L1	L2	L3	W1	W2	T	D	Mounting bolts
0.5/10/20 kN	2 039	75	10	15	100	80	28	100	80	M20	10	M8 8.8
50 kN	5 099	110	18	20	120	94	35	120	94	M24	14.5	M12 8.8
100 kN	10 179	135	22	25	150	120	35	150	120	M30	18.5	M16 8.8

CAD files for customer's own application drawings are available on request.

### Orientation of dummy support

